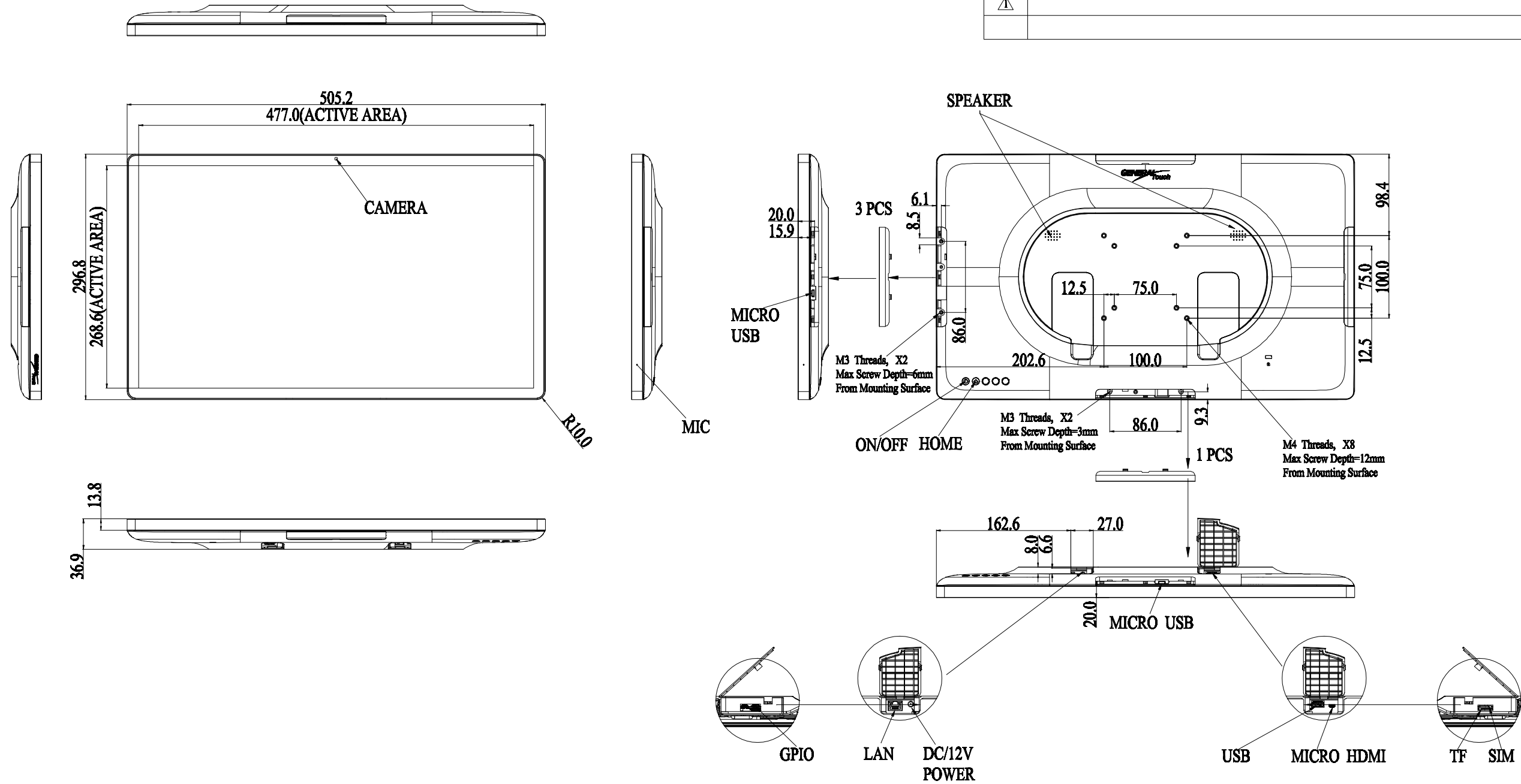


Title: ABL228-RC2-2E00-A04-1.1

Mark	Revised Contents	Signature
△		

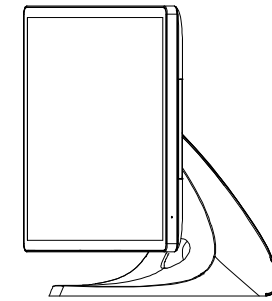
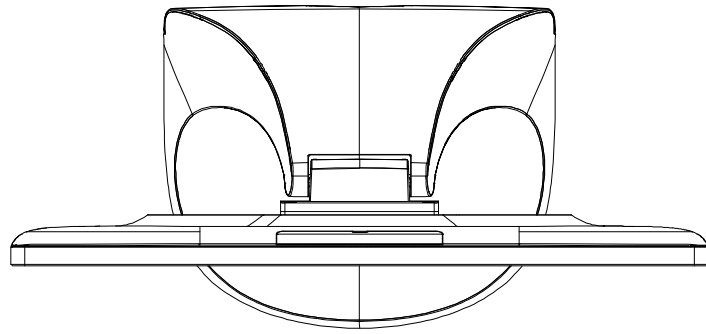


ALL DIMENSIONS ARE IN MILLIMETERS

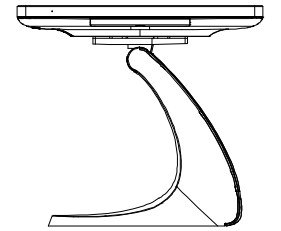
GENERAL Touch		GeneralTouch Co., Ltd.			
Specification	External Dimensions	296.8*505.2*36.8	Anti-Glare	Y <input type="checkbox"/> N <input checked="" type="checkbox"/>	Designer: Wang Zhenghua
Unit	Date	Active Area	DustProof	Y <input type="checkbox"/> N <input checked="" type="checkbox"/>	
mm	20211116	Glass Thickness			Checked By: Duan Wenbin
Projection:		Silk Print Color	Black		
Sheet 1 of 2		Mounting	VESA <input checked="" type="checkbox"/> Bracket <input type="checkbox"/>		Approved By: Zhou Bolin
VER: 0.2	Scale: 1:1	Notes			
Tolerance: ±1.0mm		Touch Technology	P-CAP <input checked="" type="checkbox"/> SAW <input type="checkbox"/> IR/PIT <input type="checkbox"/> Resistive <input type="checkbox"/> Non-Touch <input type="checkbox"/>		

Title: ABL228-RC2-2E00-A04-1.1

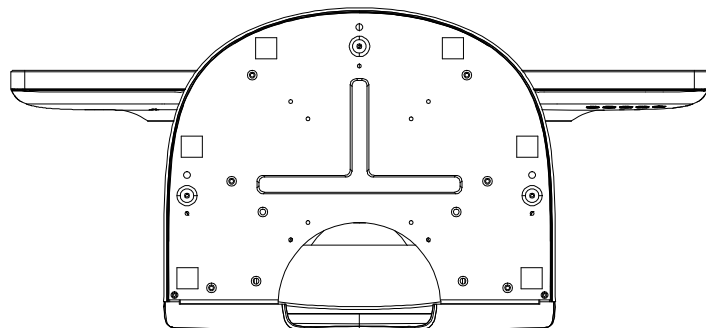
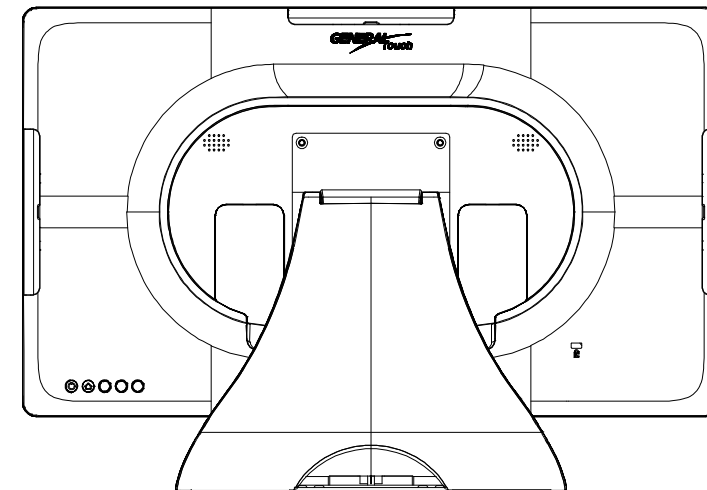
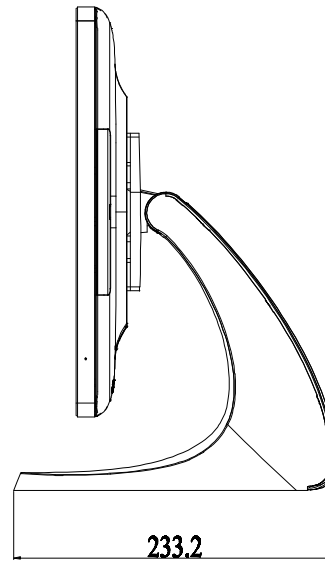
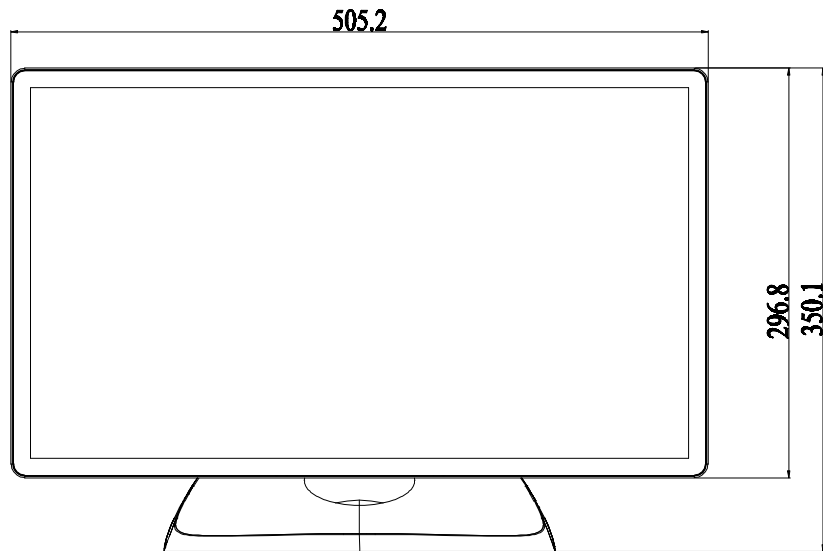
Mark	Revised Contents	Signature
△		



NONE Angle 0° (-5, 0°)



Rotate 90° (+/-2°)



GENERAL Touch		GeneralTouch Co., Ltd.			
Specification	External Dimensions	296.8*505.2*36.8	Anti-Glare	Y <input type="checkbox"/> N <input checked="" type="checkbox"/>	Designer: Wang Zhenghua
Unit	Date	Active Area	DustProof	Y <input type="checkbox"/> N <input checked="" type="checkbox"/>	
mm	20211116	Glass Thickness			Checked By: Duan Wenbin
Projection:		Silk Print Color	Black		
Sheet 2 of 2		Mounting	VESA <input checked="" type="checkbox"/> Bracket <input type="checkbox"/>		Approved By: Zhou Bolin
VER: 0.2	Scale: 1:1	Notes			
Tolerance: ±1.0mm		Touch Technology	P-CAP <input checked="" type="checkbox"/> SAW <input type="checkbox"/>	IR/PIT <input type="checkbox"/> Resistive <input type="checkbox"/>	
			Non-Touch <input type="checkbox"/>		

ALL DIMENSIONS ARE IN MILLIMETERS