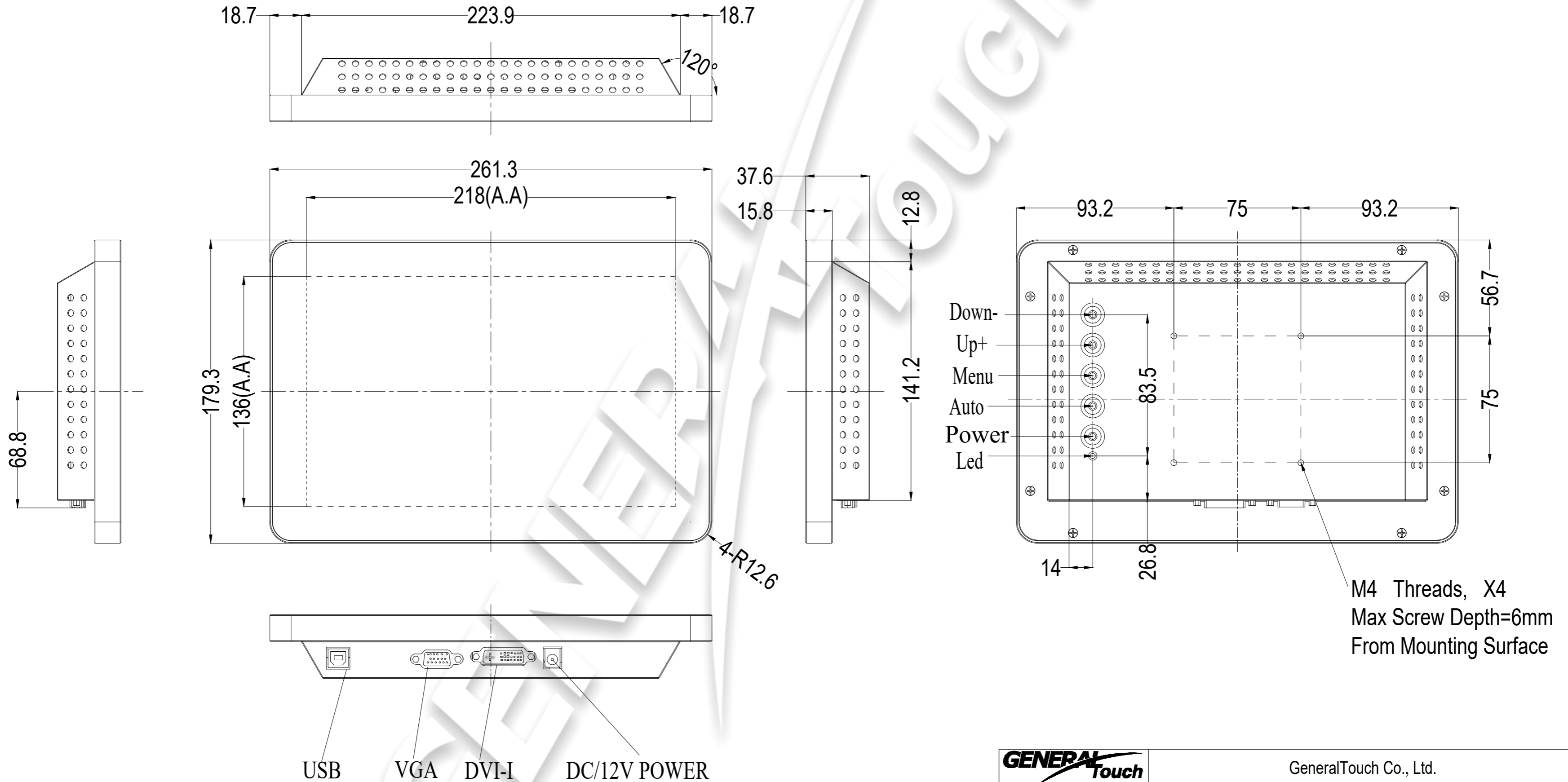


Title: OTL101-RPCZ03-UCDA

Mark	Revised Contents	Signature
△		



ALL DIMENSIONS ARE IN MILLIMETERS

GENERAL Touch		GeneralTouch Co., Ltd.			
Specification	External Dimensions	261.3*179.3*37.6	Anti-Glare	<input type="checkbox"/> Y <input checked="" type="checkbox"/> N	Designer:
Unit	Date	2021/02/19	DustProof	<input type="checkbox"/> Y <input checked="" type="checkbox"/> N	Han Jin
mm					
Projection:	Silk Print Color				Checked By:
	Mounting	VESA <input checked="" type="checkbox"/> Bracket <input type="checkbox"/>			Wang Zhenghua
Notes					
Sheet 1 of 1					
VER:1.1	Scale: 1:1				Approved By:
Tolerance: ±1.0mm	Touch Technology	P-CAP	<input checked="" type="checkbox"/>	SAW	Zhou Bolin
		IR/PIT	<input type="checkbox"/>	Resistive	
		Non-Touch	<input type="checkbox"/>		