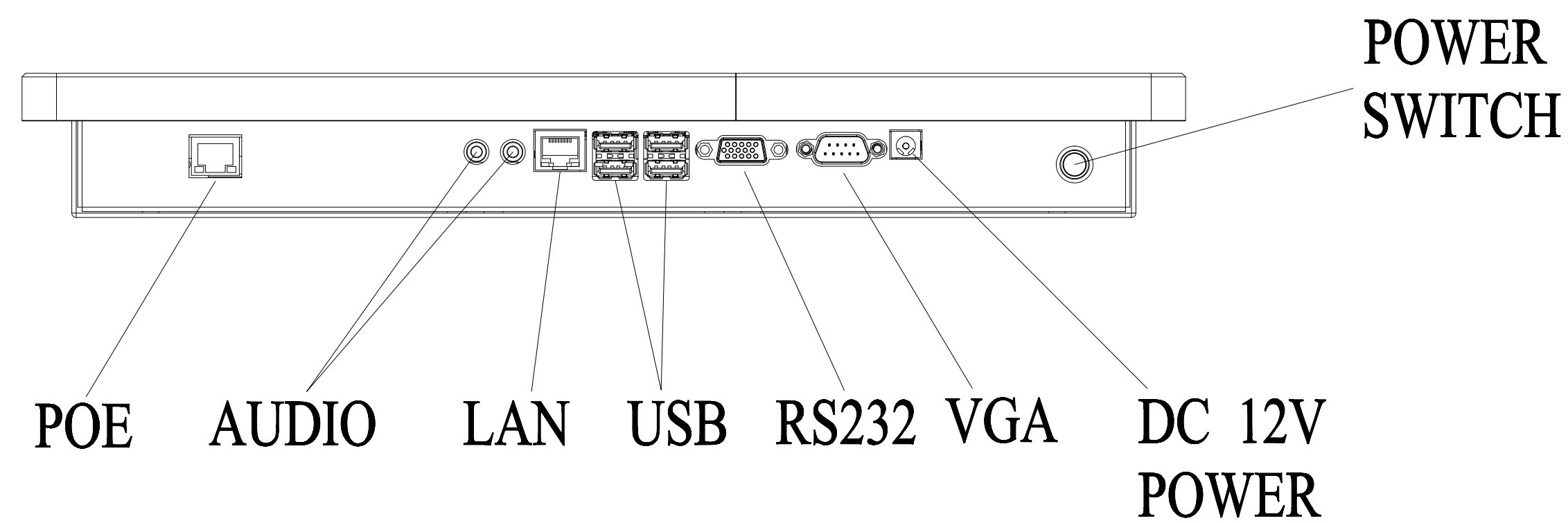
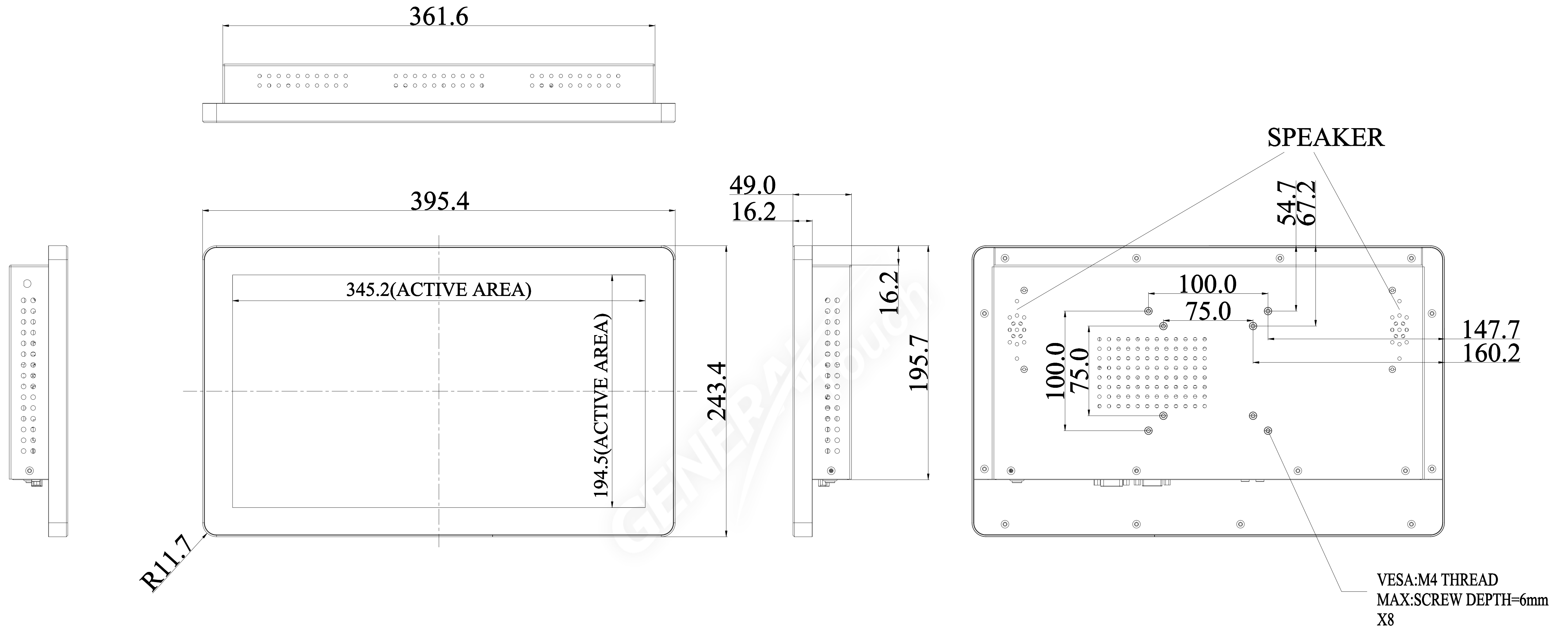


Title: CTL155-RCB-6B00-A0D-1.0

Mark	Revised Contents	Signature
△		



ALL DIMENSIONS ARE IN MILLIMETERS

GENERAL Touch		GeneralTouch Co., Ltd.			
Specification	External Dimensions	395.4*243.4*44	Anti-Glare	<input type="checkbox"/> Y <input checked="" type="checkbox"/> N	Designer: Wang Zhenghua
Unit	Date	Active Area	DustProof	<input type="checkbox"/> Y <input checked="" type="checkbox"/> N	
mm	20231108	Glass Thickness			Checked By: Duan Wenbin
Projection:		Silk Print Color			
Sheet 1 of 1		Mounting	VESA <input checked="" type="checkbox"/> Bracket <input type="checkbox"/>		Approved By: Zhou Bolin
VER:0.2	Scale: 1:1	Notes			
Tolerance: ±1.0mm		Touch Technology	P-CAP <input checked="" type="checkbox"/> SAW Resistive <input type="checkbox"/>		
			IR/PIT <input type="checkbox"/> Non-Touch <input type="checkbox"/>		