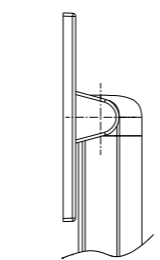
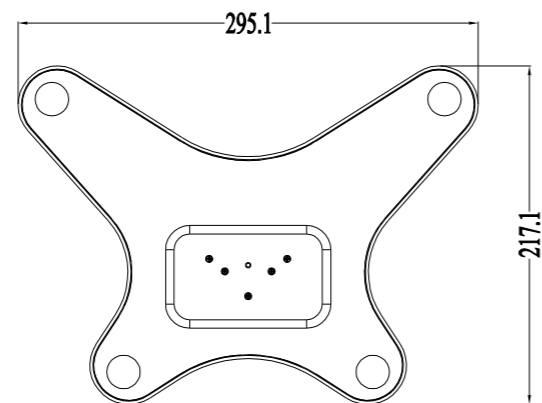
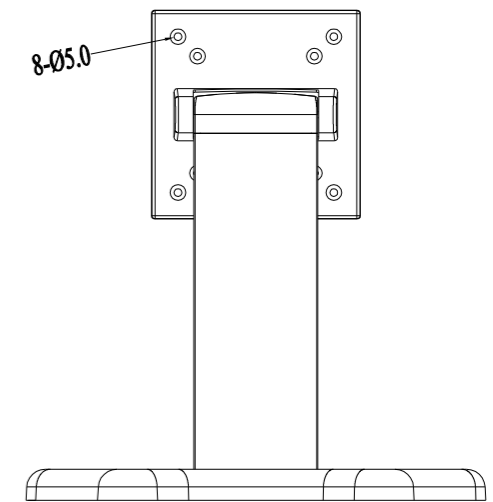
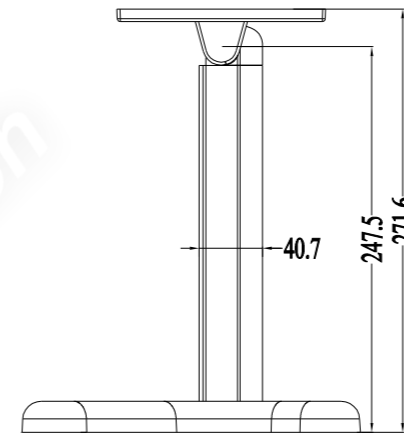
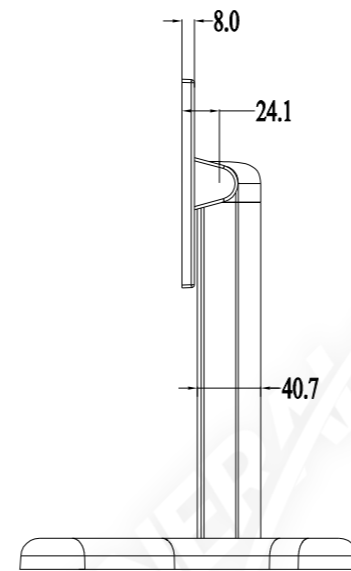
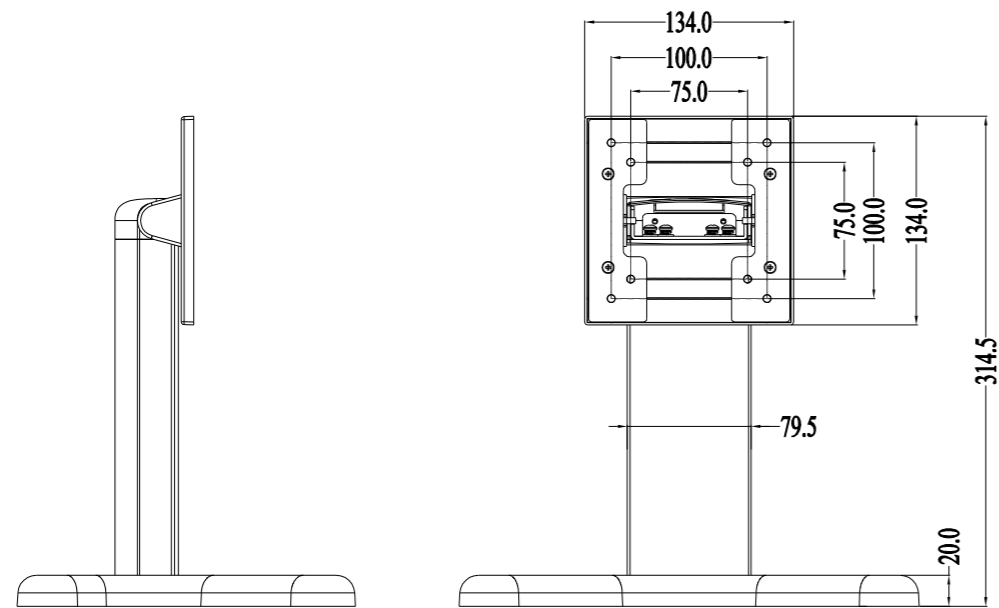
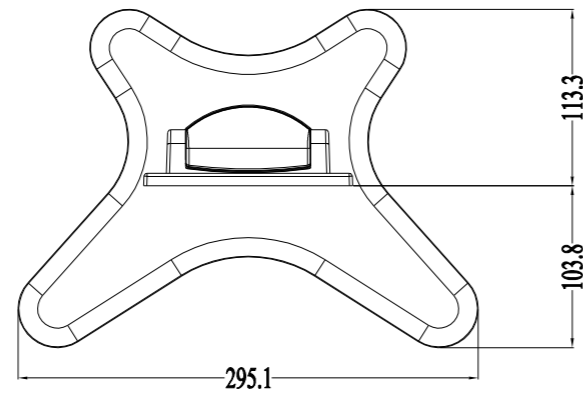
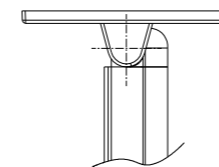


TITLE: DBM01

MARK	REVISED CONTENTS	DATE	SIGNATURE
△			



Rotate 0° (+0/-2°)



Rotate 90° (+0/-2°)

Product parameters:

- 1、 Product color:black.
- 2、 Load-bearing range:within 7kg.
- 3、 Installation:put on the deskop.
- 4、 Mouting hole distance:75*75mm, 100*100mm.
- 5、 Angle of rotation:0° (+0/-2°)~90° (+0/-2°).
- 6、 Product material:ABS, AL6063, SGCC.
- 7、 Suitable for display under 23.8 inches.

ALL DIMENSIONS ARE IN MILLIMETERS

GENERAL Touch		GeneralTouch Co.,Ltd.			
SPEC or MATERIAL REMARK	External Dimensions	295.1*217.1*314.5	Anti-Glare	Y <input type="checkbox"/> N <input checked="" type="checkbox"/>	DESIGNER:
UNIT	DATE		DustPro	Y <input type="checkbox"/> N <input checked="" type="checkbox"/>	WangChao
mm	2022/12/01				
Projection:	Silk Print Color				CHECKED:
	Mounting	Vesa <input checked="" type="checkbox"/>	Bracket	<input type="checkbox"/>	WangZhengHua
SHEET 1 OF 1	NOTES				
RVE: 0.1	SCALE: 1:1	TOUCH TECHNOLOGY	P-CAP	SAW	APPROVED:
Tolerance: ±1.0mm			IR/PIT	RESISTIVE	ZhouBoLin
			Non-Touch	√	