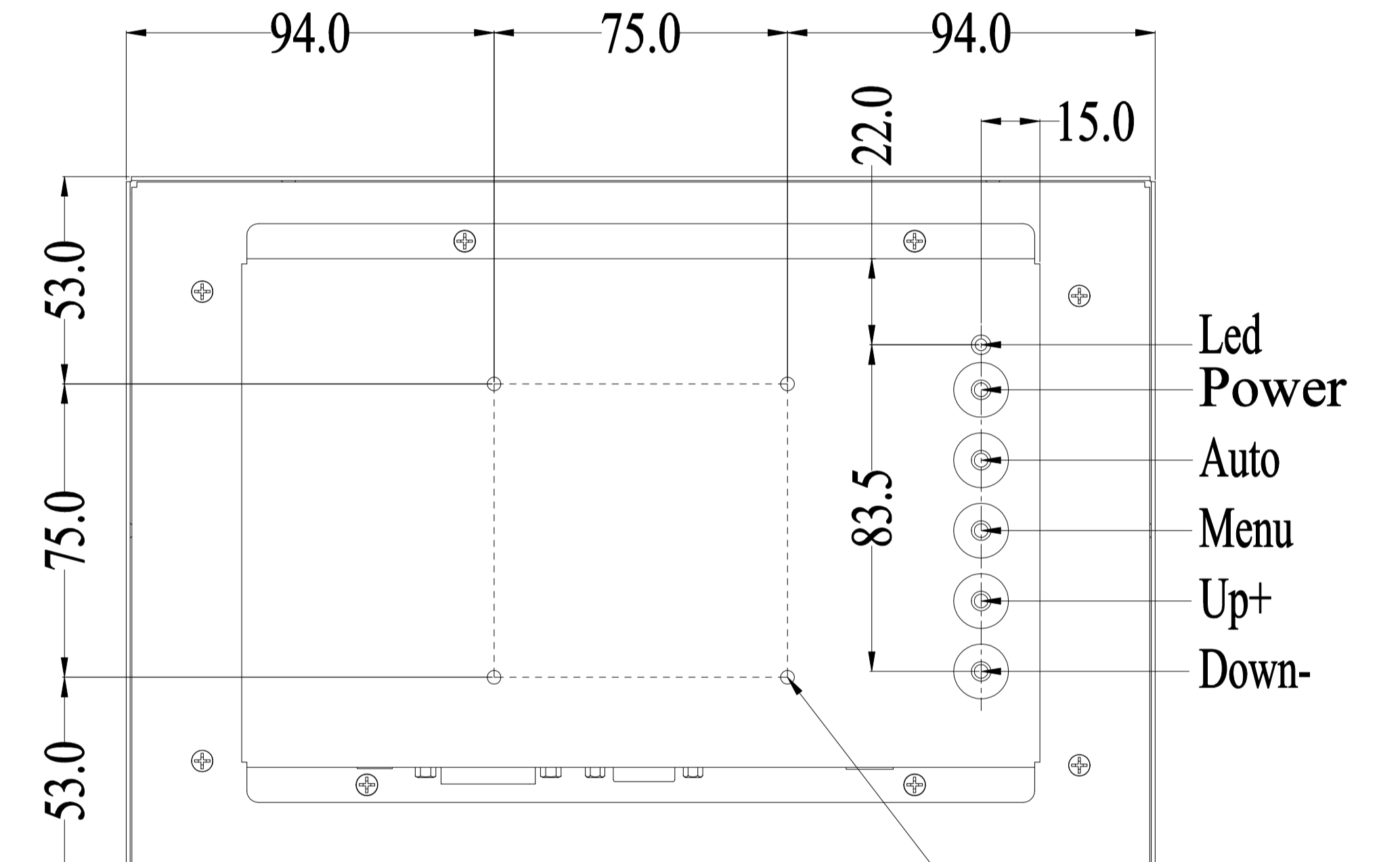
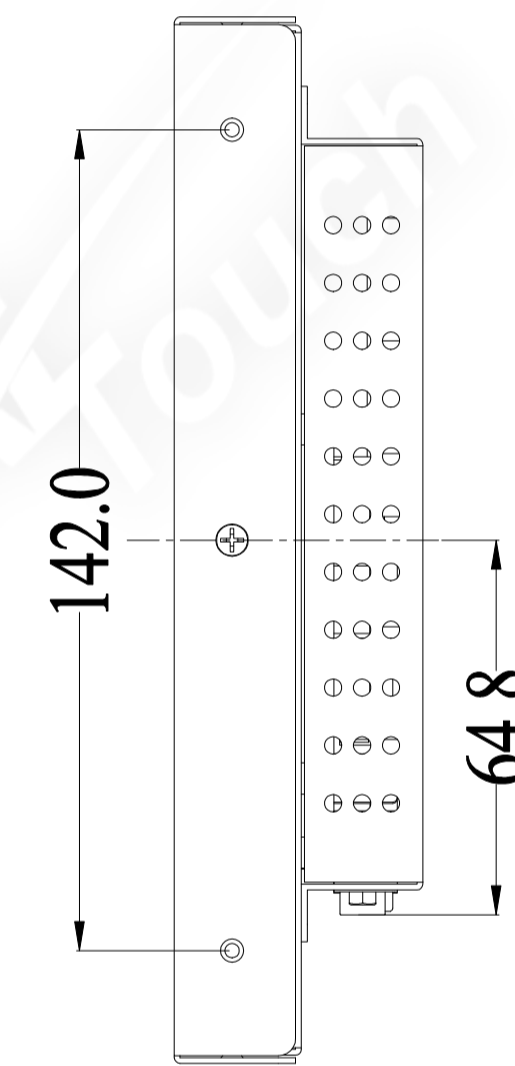
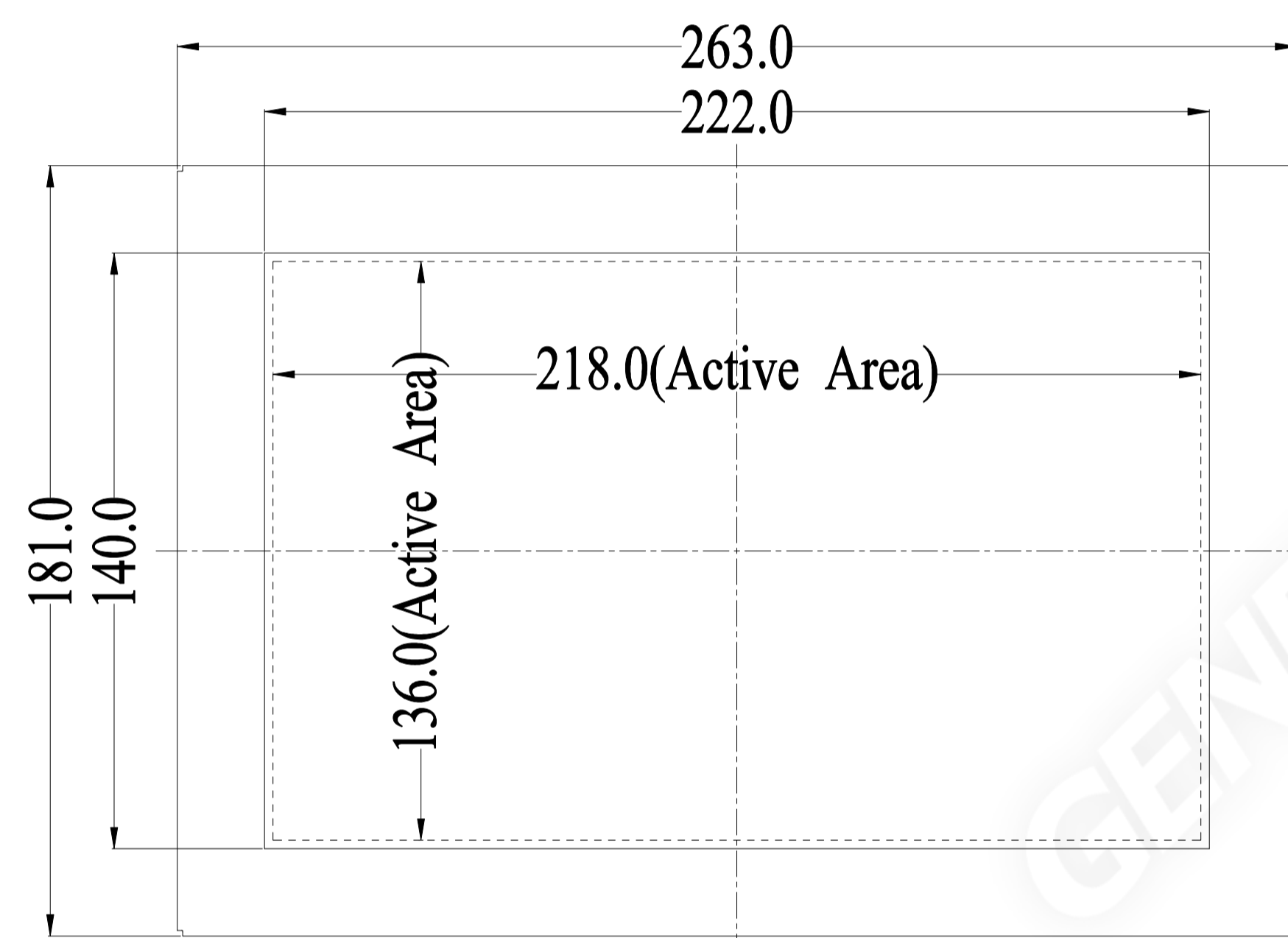
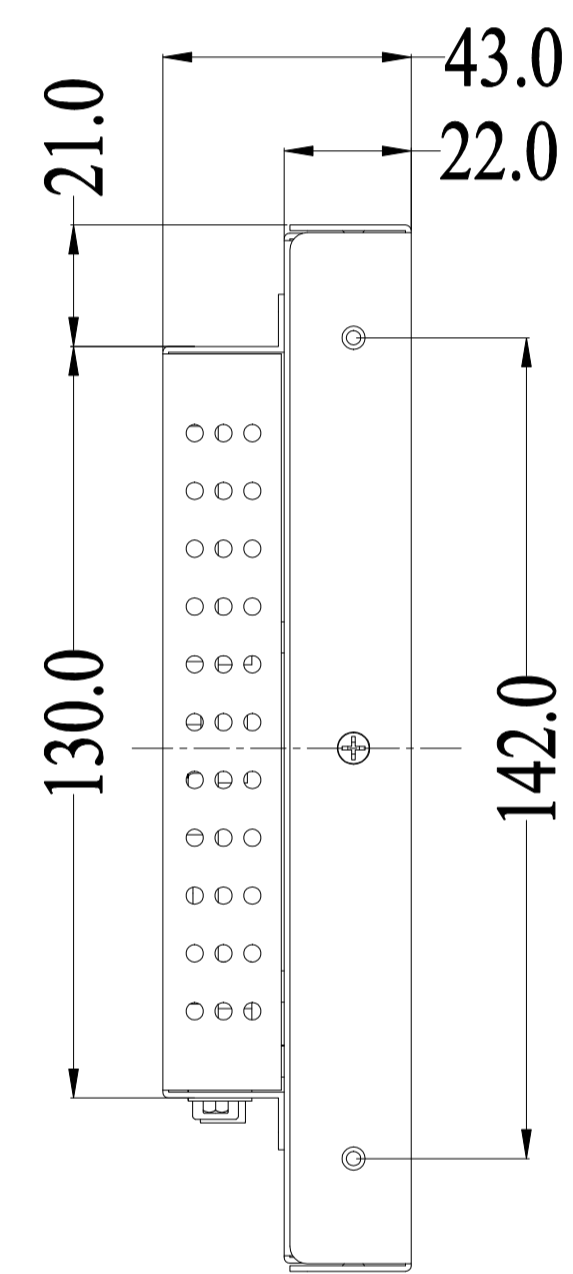
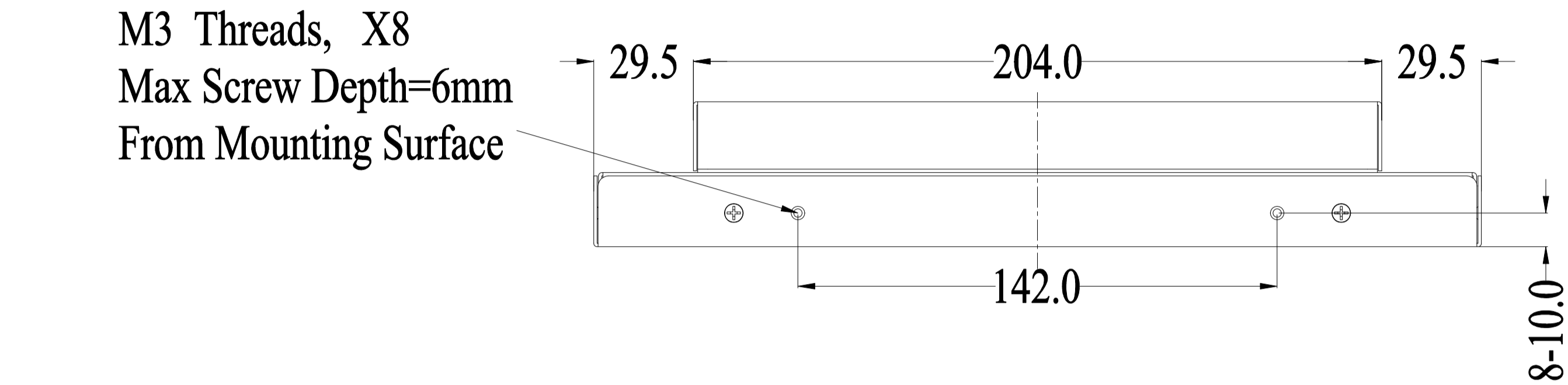


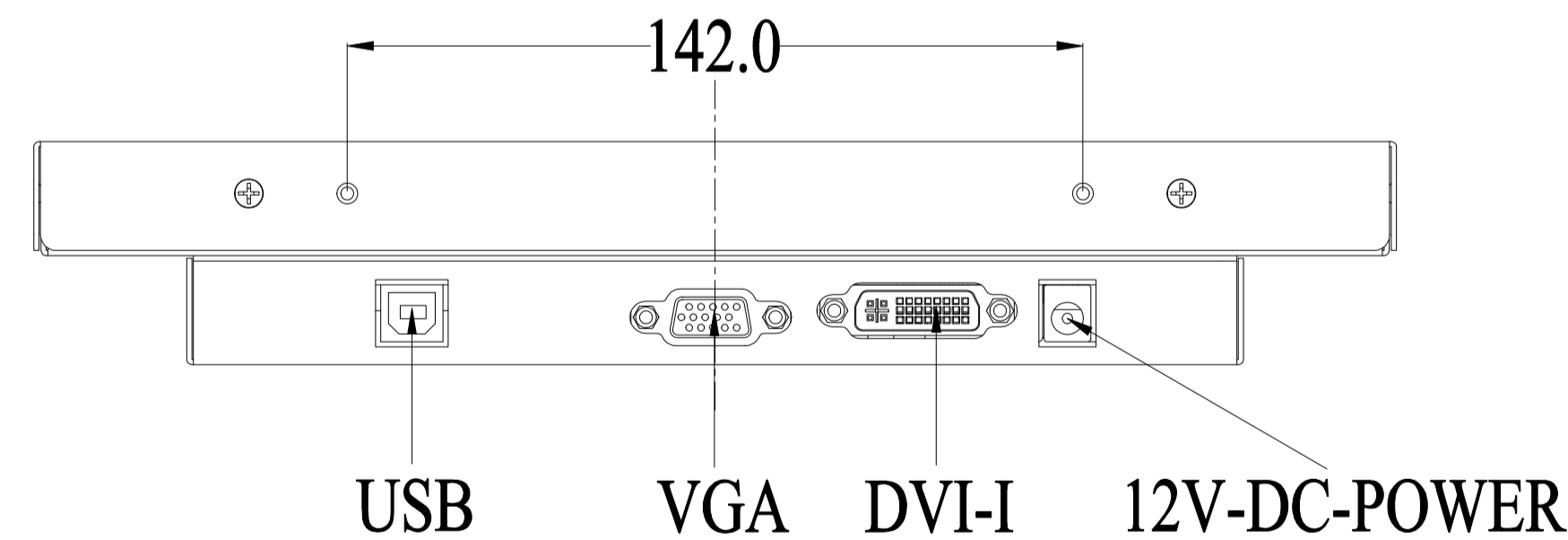
Title: OTL103-RC3000-UC4A00-1.0

Mark	Revised Contents	Signature
△		

M3 Threads, X8
Max Screw Depth=6mm
From Mounting Surface



M4 Threads, X4
Max Screw Depth=6mm
From Mounting Surface



ALL DIMENSIONS ARE IN MILLIMETERS

GENERAL Touch		GeneralTouch Co., Ltd.			
Specification	External Dimensions	263*181*43	Anti-Glare	Y <input type="checkbox"/> N <input checked="" type="checkbox"/>	Designer:
Unit	Date	Active Area	DustProof	Y <input type="checkbox"/> N <input checked="" type="checkbox"/>	Han Jin
mm	2023/08/24	Glass Thickness			
Projection:		Silk Print Color			Checked By:
		Mounting	VESA <input checked="" type="checkbox"/>	Bracket <input checked="" type="checkbox"/>	Wang Zhenghua
Sheet 1 of 1		Notes			Approved By:
VER: 0.2	Scale: 1:1	Touch Technology	P-CAP	<input checked="" type="checkbox"/> SAW	Zhou Bolin
Tolerance: ±1.0mm			IR/PIT	<input type="checkbox"/> Resistive	
			Non-Touch	<input type="checkbox"/>	