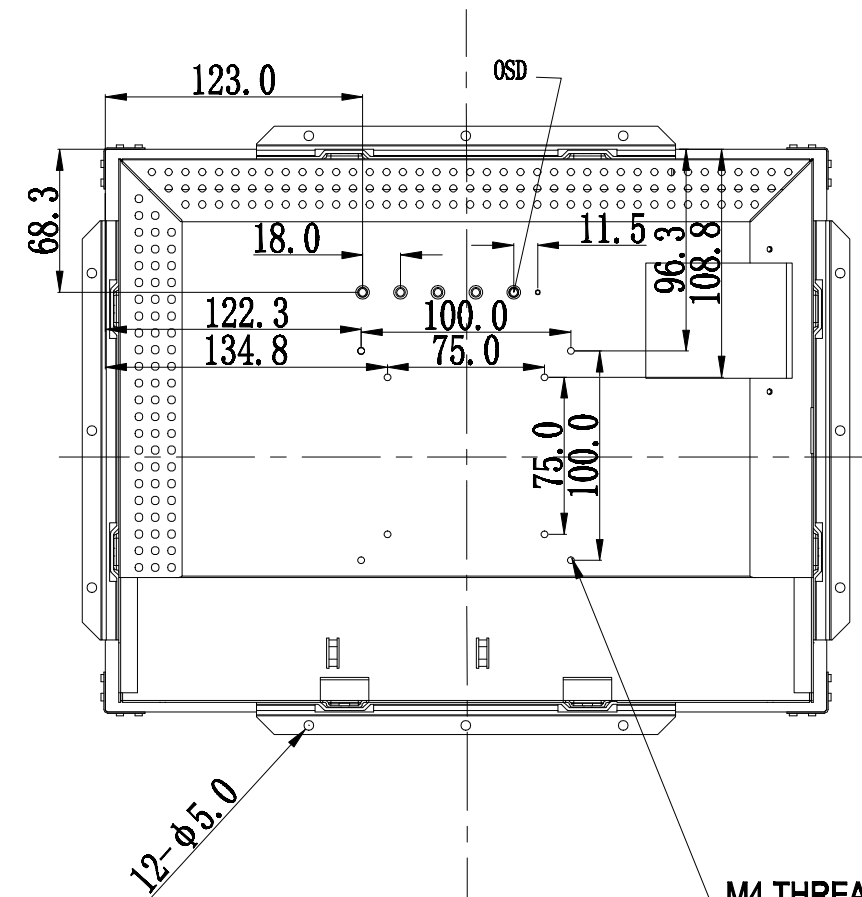
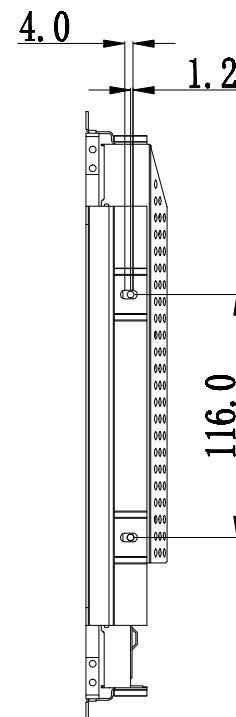
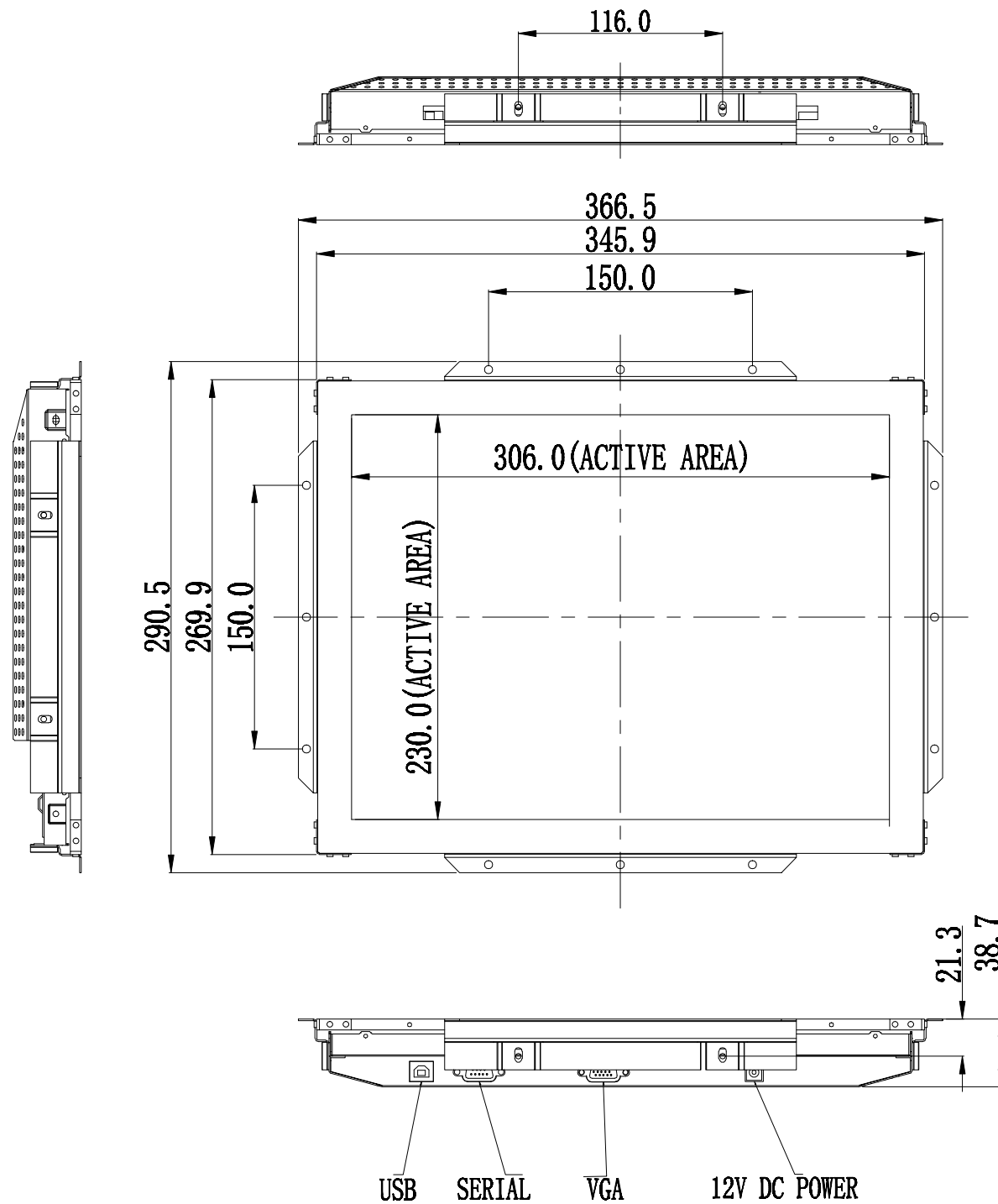


# TITLE: OTL153-R04P-SUD

MARK	REVISED CONTENTS	DATE	SIGNATURE
△			



M4 THREAD  
MAX:SCREW DEPTH=5mm  
X8

ALL DIMENSIONS ARE IN MILLIMETERS

GENERAL Touch		General Touch Co., Ltd.			
SPEC or MATERIAL REMARK	External Dimensions	366.5*290.5*38.7	Anti-Glare	Y <input type="checkbox"/> N <input checked="" type="checkbox"/>	DESIGNER:
UNIT	DATE	Active Area	DustPro	Y <input type="checkbox"/> N <input checked="" type="checkbox"/>	Wang Zhenghua
mm	2020/10/26	Glass Thickness			
Projection:		Silk Print Color			CHECKED:
		Mounting	VESA <input checked="" type="checkbox"/>	BRACKET <input checked="" type="checkbox"/>	Duan Wenbin
SHEET 1 OF 1		NOTES			
RVE: 0.3	SCALE: 1:1	TOUCH TECHNOLOGY	P-CAP	SAW	APPROVED:
Tolerance: ±1.0mm			IR/PIT	RESISTIVE	Zhou Bolin
			Non-Touch		