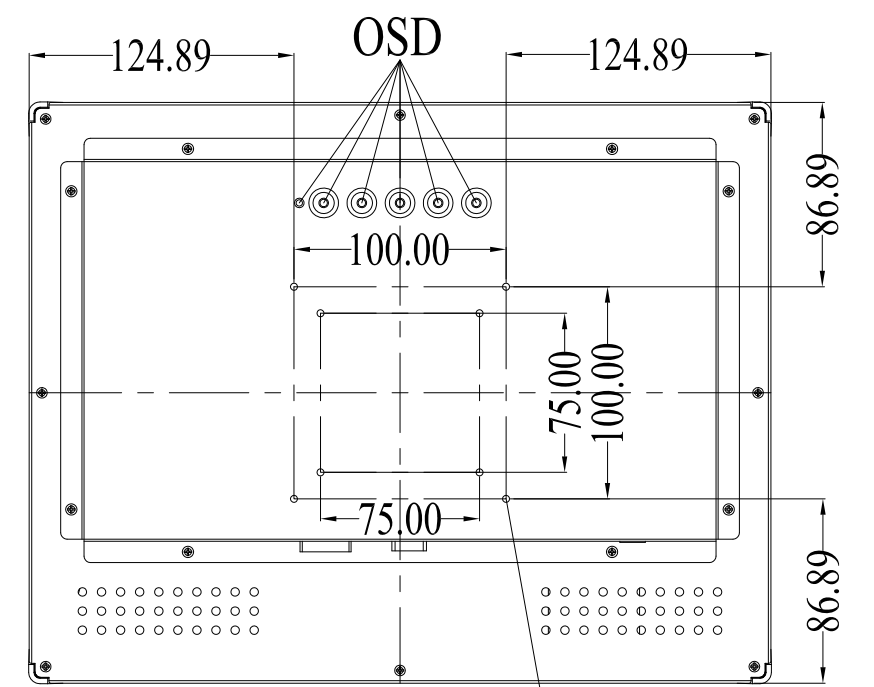
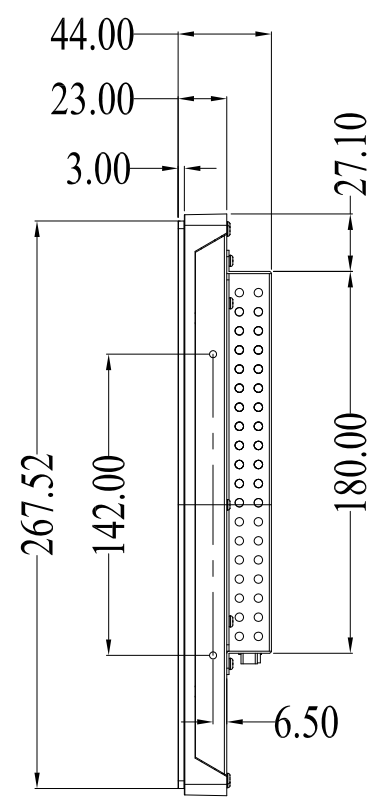
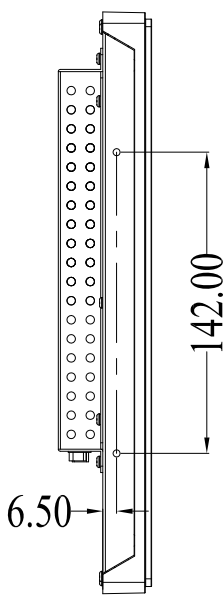
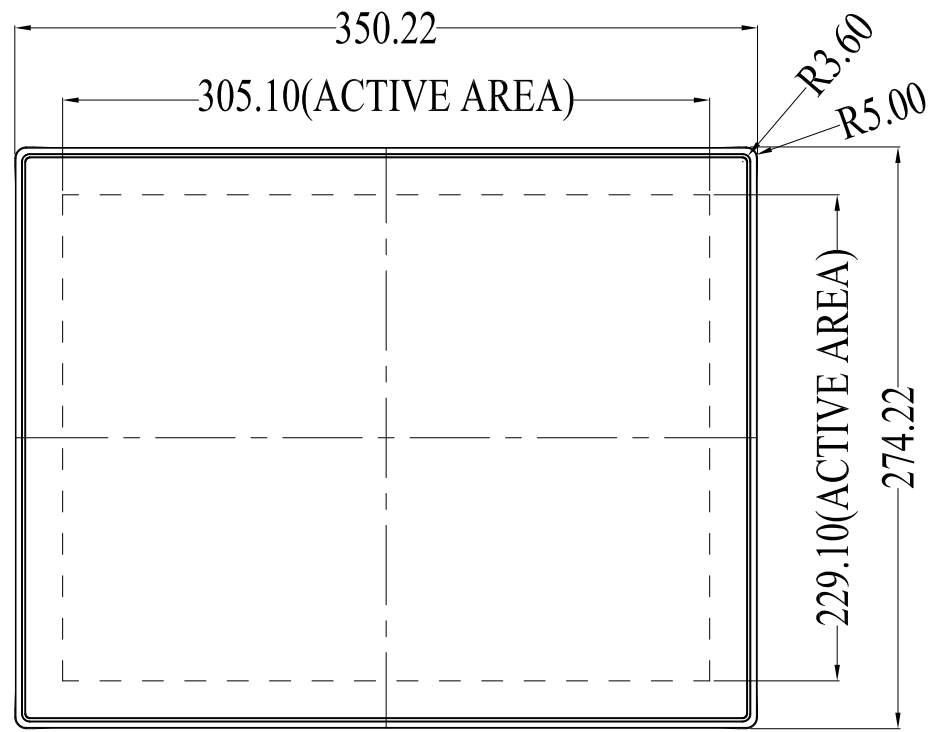
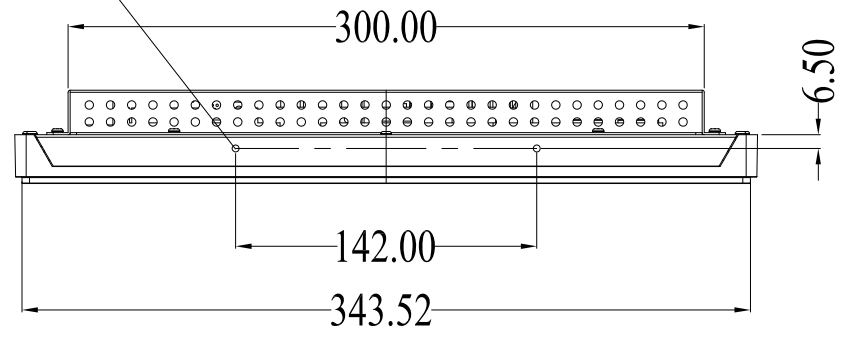


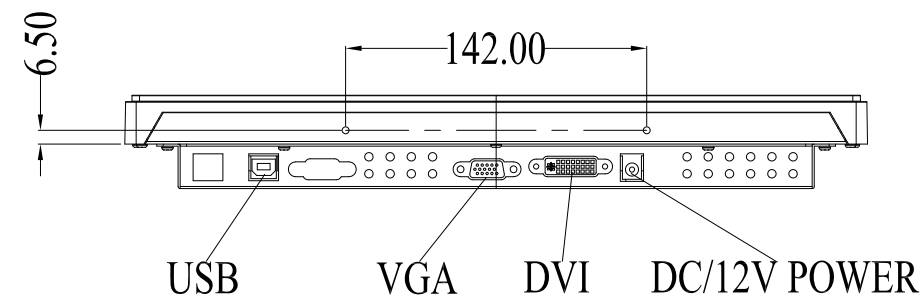
TITLE: OTL153-RPC03-UCDA

MARK	REVISED CONTENTS	DATE	SIGNATURE
△			

M4 THREAD
MAX:SCREW DEPTH=8mm
X8



VESA:M4 THREAD
MAX:SCREW DEPTH=6mm
X8



ALL DIMENSIONS ARE IN MILLIMETERS

GENERAL Touch		GeneralTouch Co.,Ltd.			
SPEC or MATERIAL REMARK	External Dimensions	350.22*274.22*44	Anti-Glare	Y <input type="checkbox"/> N <input checked="" type="checkbox"/>	DESIGNER:
UNIT	DATE	Active Area	DustPro	Y <input type="checkbox"/> N <input checked="" type="checkbox"/>	PengChan
mm	2019/09/12	Glass Thickness			
Projection:		Silk Print Color	BLACK		
		Mounting	Vesa <input checked="" type="checkbox"/> Bracket <input type="checkbox"/>		CHECKED:
SHEET 1 OF 1		NOTES			WangZhengHua
RVE: 1.1	SCALE: 1:1	TOUCH TECHNOLOGY	P-CAP	<input checked="" type="checkbox"/> SAW	APPROVED:
Tolerance: ±1.0mm			IR/PIT	RESISTIVE	ZhouBoLin
			Non-Touch		