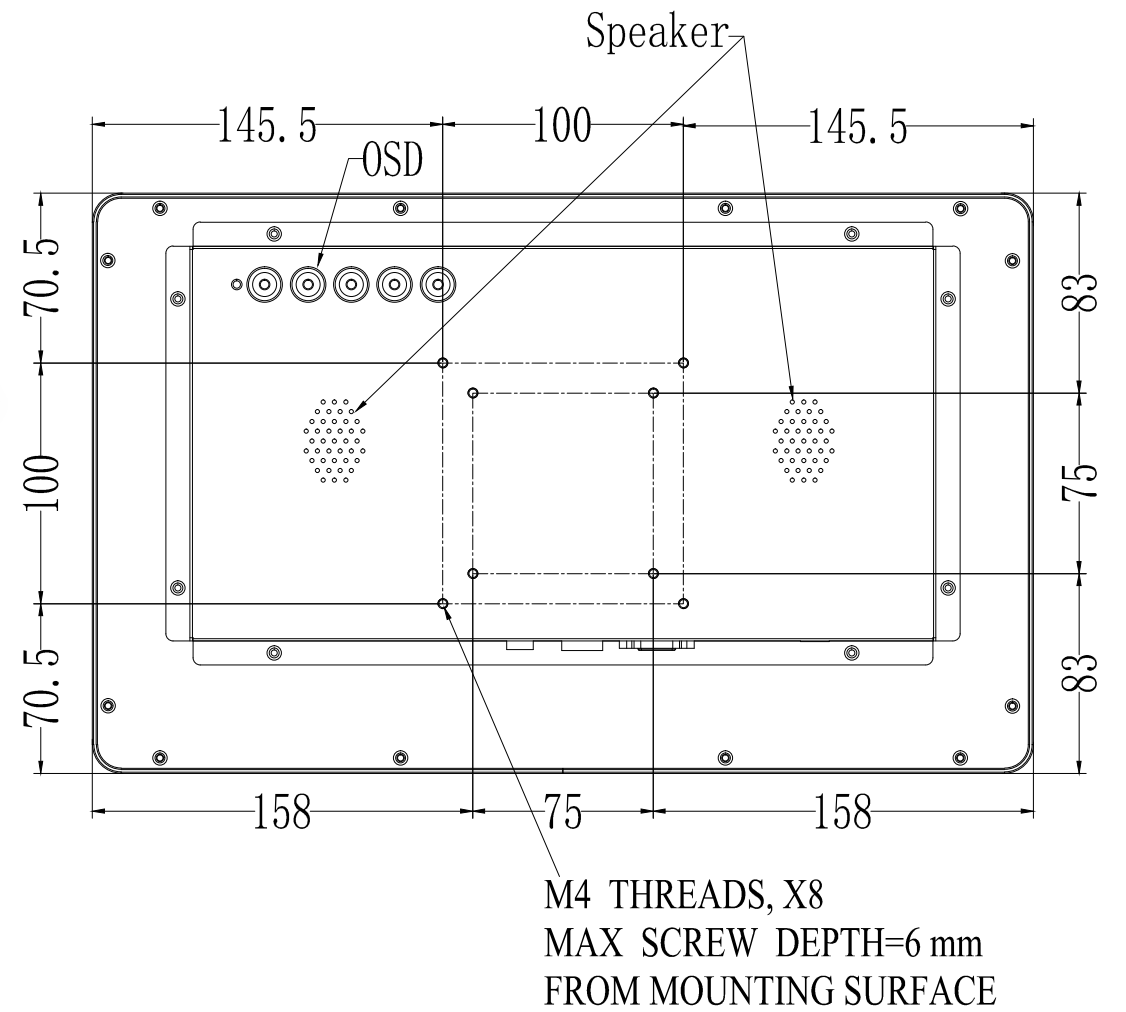
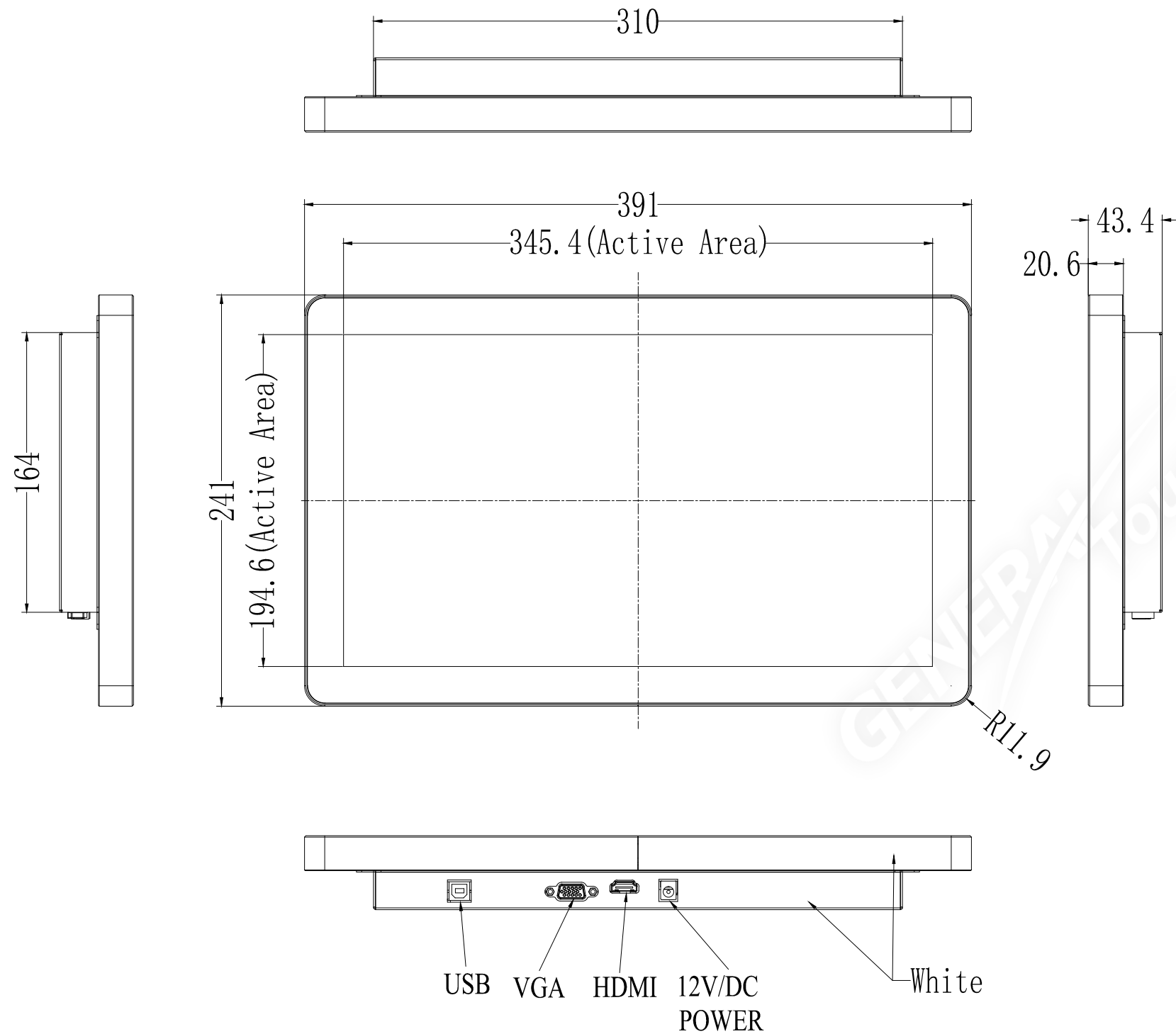


Title: OTL15M-LC40A0-UH420S-1.0 UL&ROHS

Mark	Revised Contents	Signature
△		



ALL DIMENSIONS ARE IN MILLIMETERS

<b>GENERAL Touch</b>		GeneralTouch Co., Ltd.			
Specification	External Dimensions	391*241*43.4	Anti-Glare	Y <input checked="" type="checkbox"/> N <input type="checkbox"/>	Designer: wang an
Unit	Date	Active Area	DustProof	Y <input type="checkbox"/> N <input checked="" type="checkbox"/>	
mm	2024.1.11	Glass Thickness	3.0 mm		Checked By: Wang Zhenghua
Projection:		Silk Print Color	White		
Sheet 1 of 1		Mounting	VESA <input checked="" type="checkbox"/> Bracket <input type="checkbox"/>		Approved By: Zhou Bolin
VER:0.1	Scale: 1:1	Notes			
Tolerance: ±1.0mm		Touch Technology	P-CAP <input checked="" type="checkbox"/> SAW <input type="checkbox"/> IR/PIT <input type="checkbox"/> Resistive <input type="checkbox"/> Non-Touch <input type="checkbox"/>		