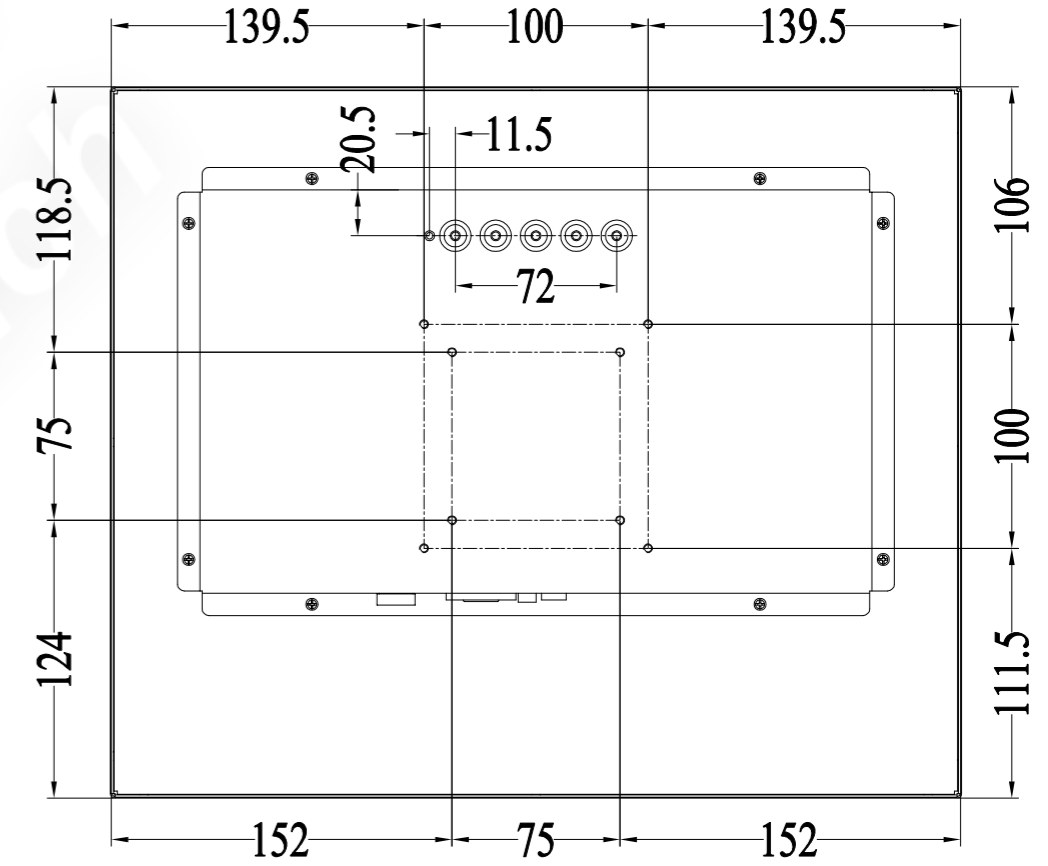
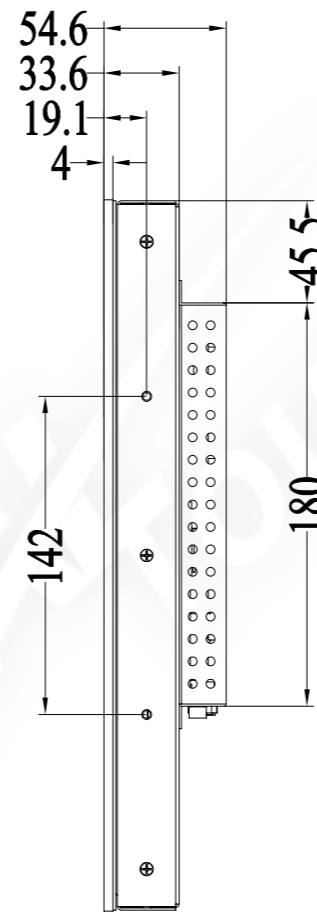
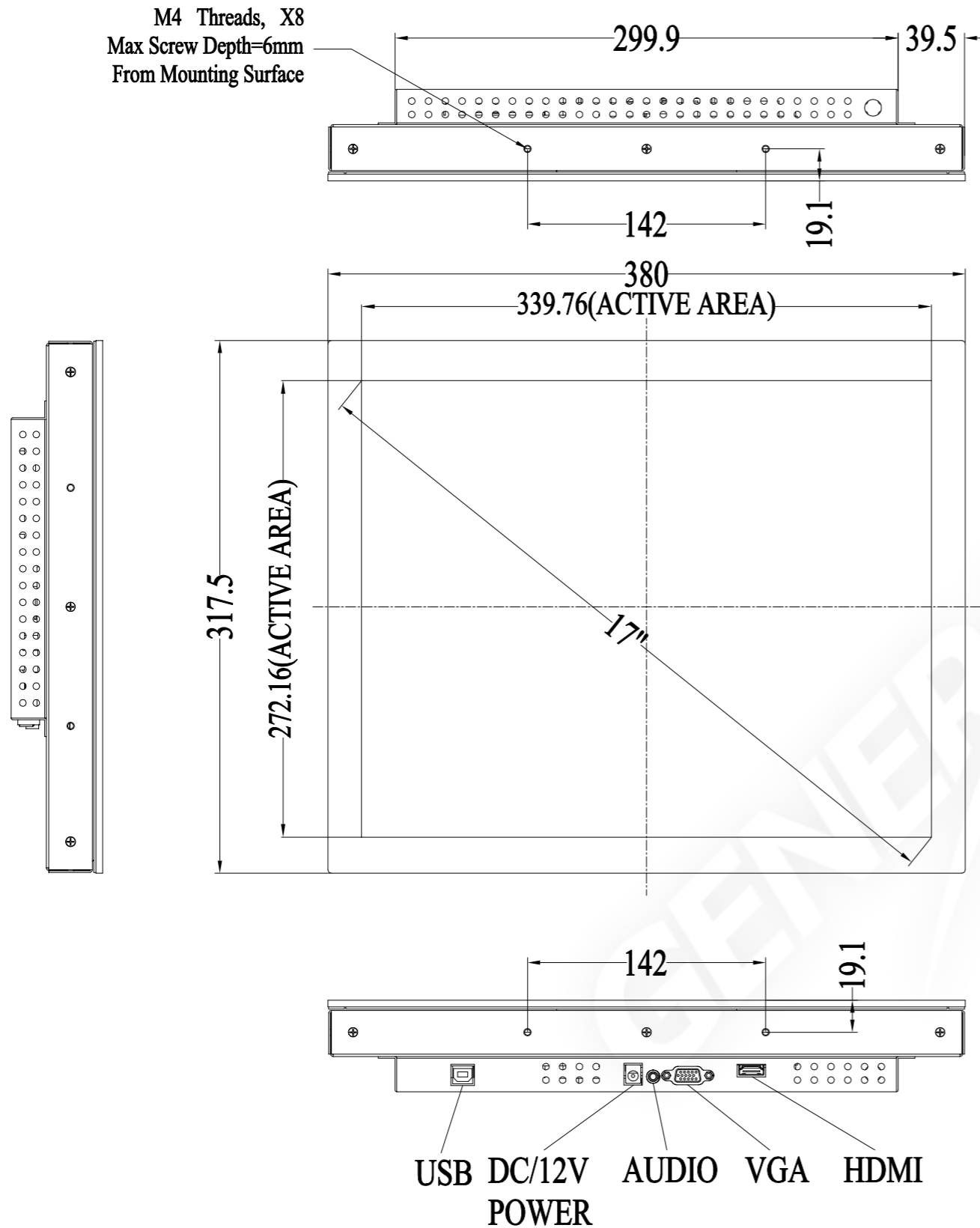


TITLE: OTL175-RC6000-UH5100-1.0

MARK	REVISED CONTENTS	SIGNATURE
△		



ALL DIMENSIONS ARE IN MILLIMETERS

<b>GENERAL Touch</b>		General Touch Co.,Ltd.			
SPEC or MATERIAL REMARK	External Dimensions	380*317.5*54.6	Anti-Glare	Y <input type="checkbox"/> N <input checked="" type="checkbox"/>	DESIGNER: wang an
Unit	Active Area	339.76*272.16	DustPro	Y <input type="checkbox"/> N <input checked="" type="checkbox"/>	
mm	Date	2021/12/27	Glass Thickness	4.0mm	CHECKED: WangZhengHua
Projection:	Silk Print Color	BLACK	Mounting	Vesa <input checked="" type="checkbox"/> Bracket <input checked="" type="checkbox"/>	
Sheet 1 OF 1	NOTES				APPROVED: ZhouBoLin
VER: 0.1	SCALE: 1:1	TOUCH TECHNOLOGY	P-CAP	<input checked="" type="checkbox"/> SAW	
Tolerance: ±1.0mm			IR/PIT	<input type="checkbox"/> RESISTIVE	
			Non-Touch	<input type="checkbox"/>	