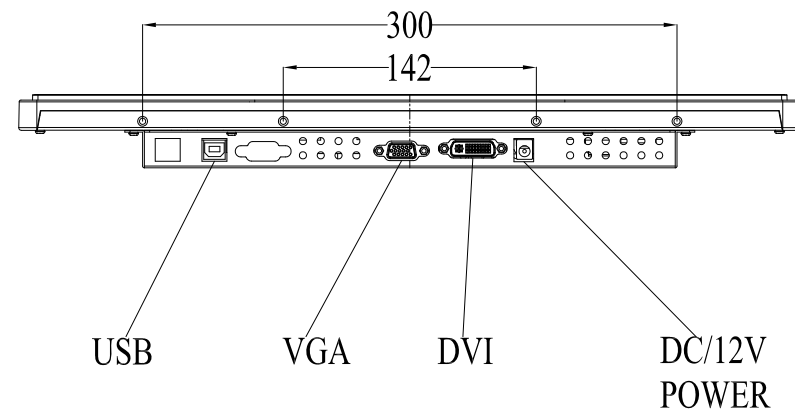
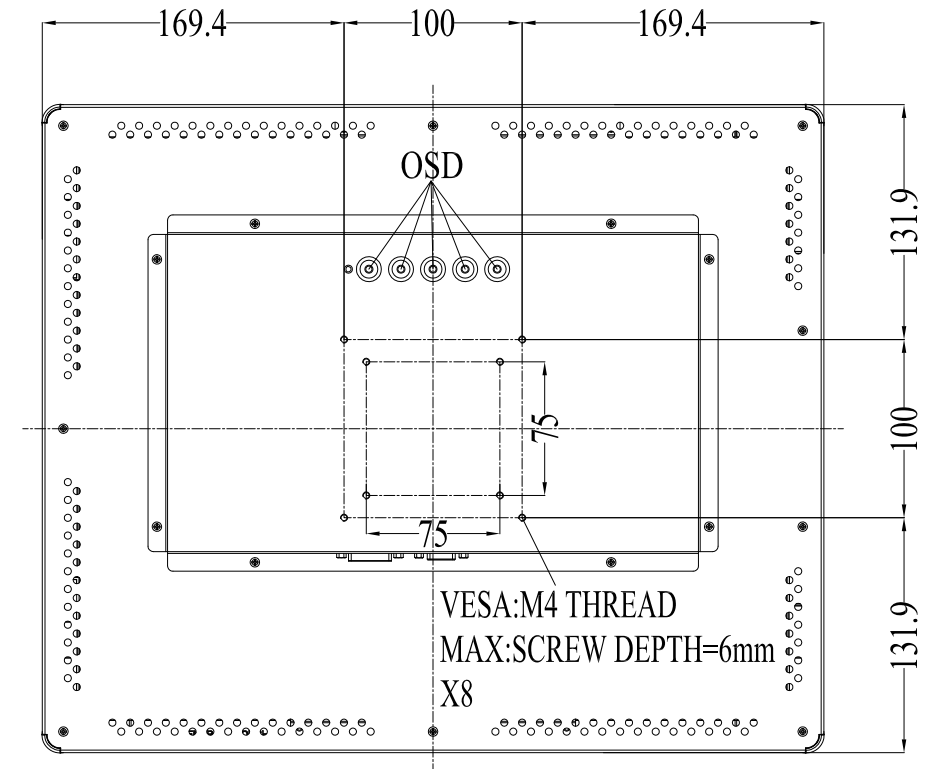
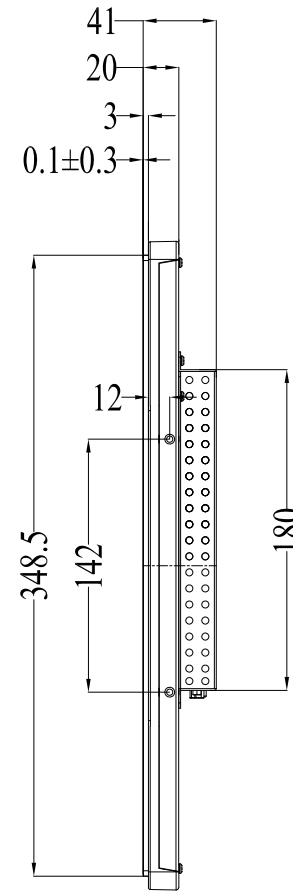
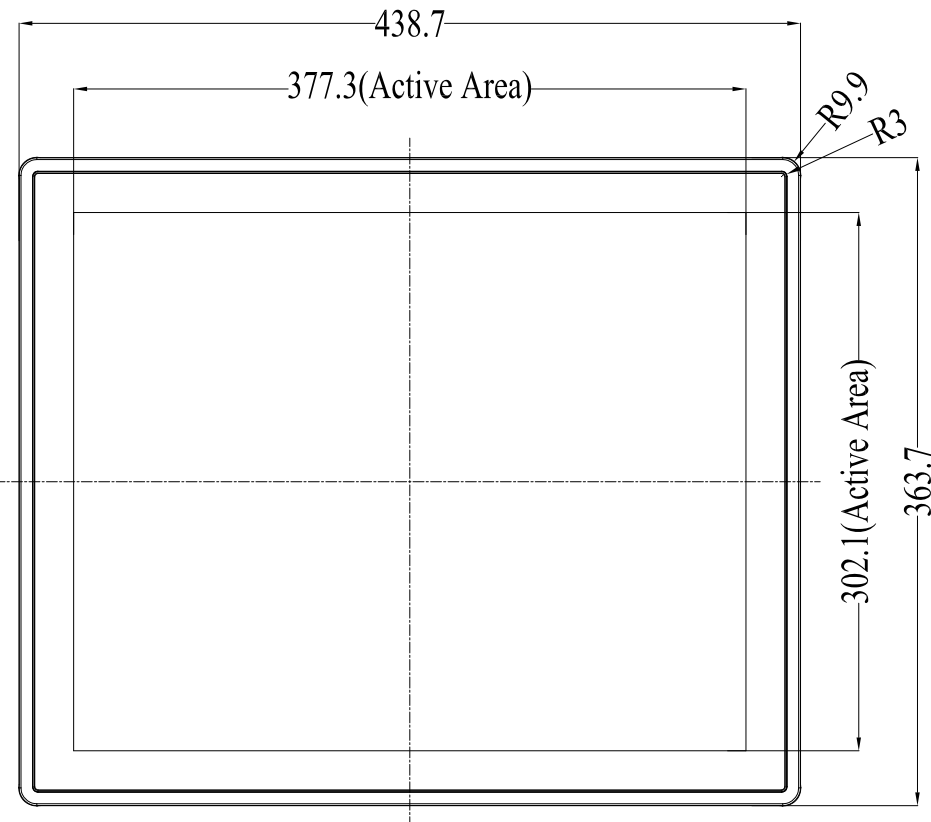
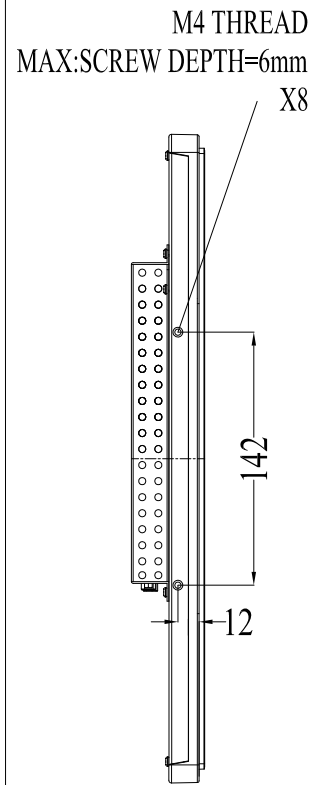
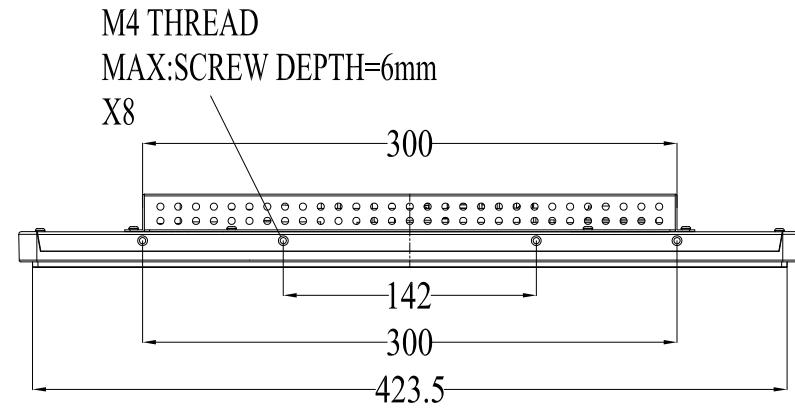


TITLE: OTL193-RPC03-UCD

MARK	REVISED CONTENTS	DATE	SIGNATURE
△			

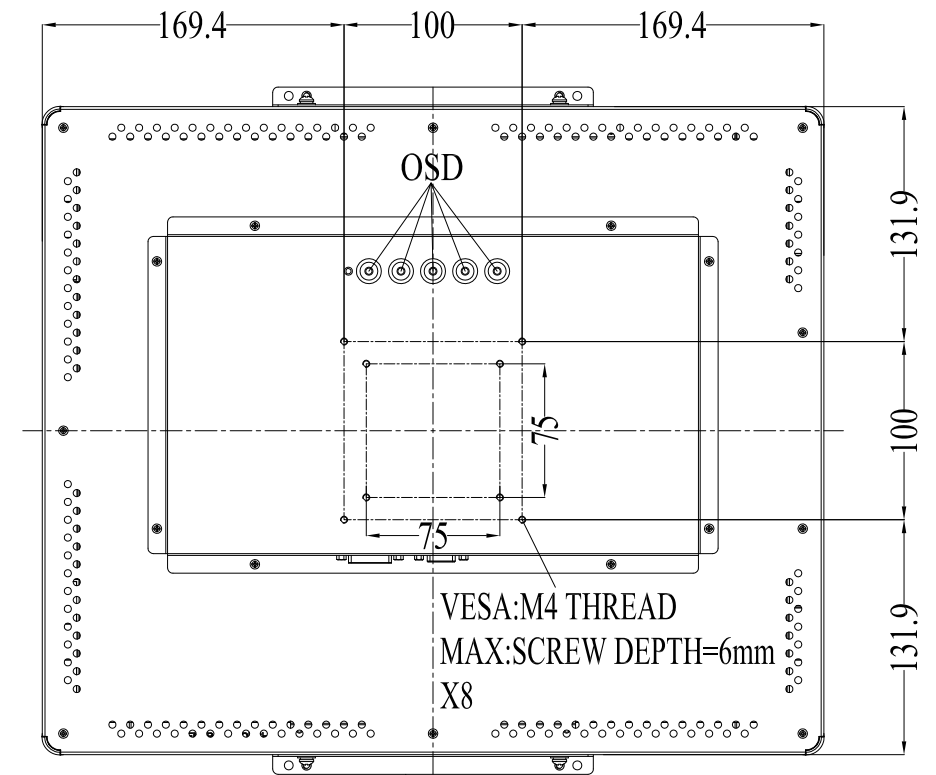
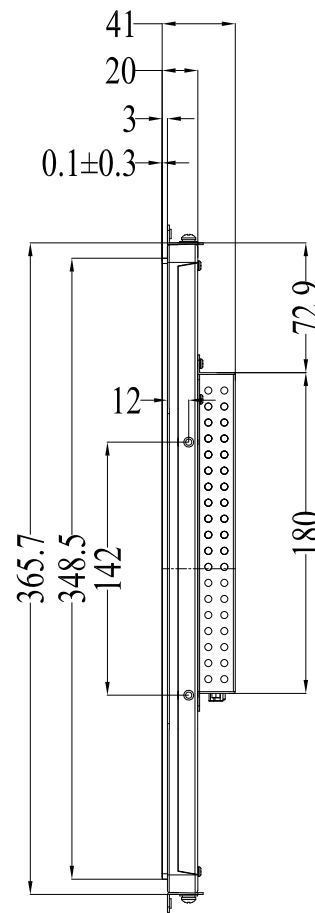
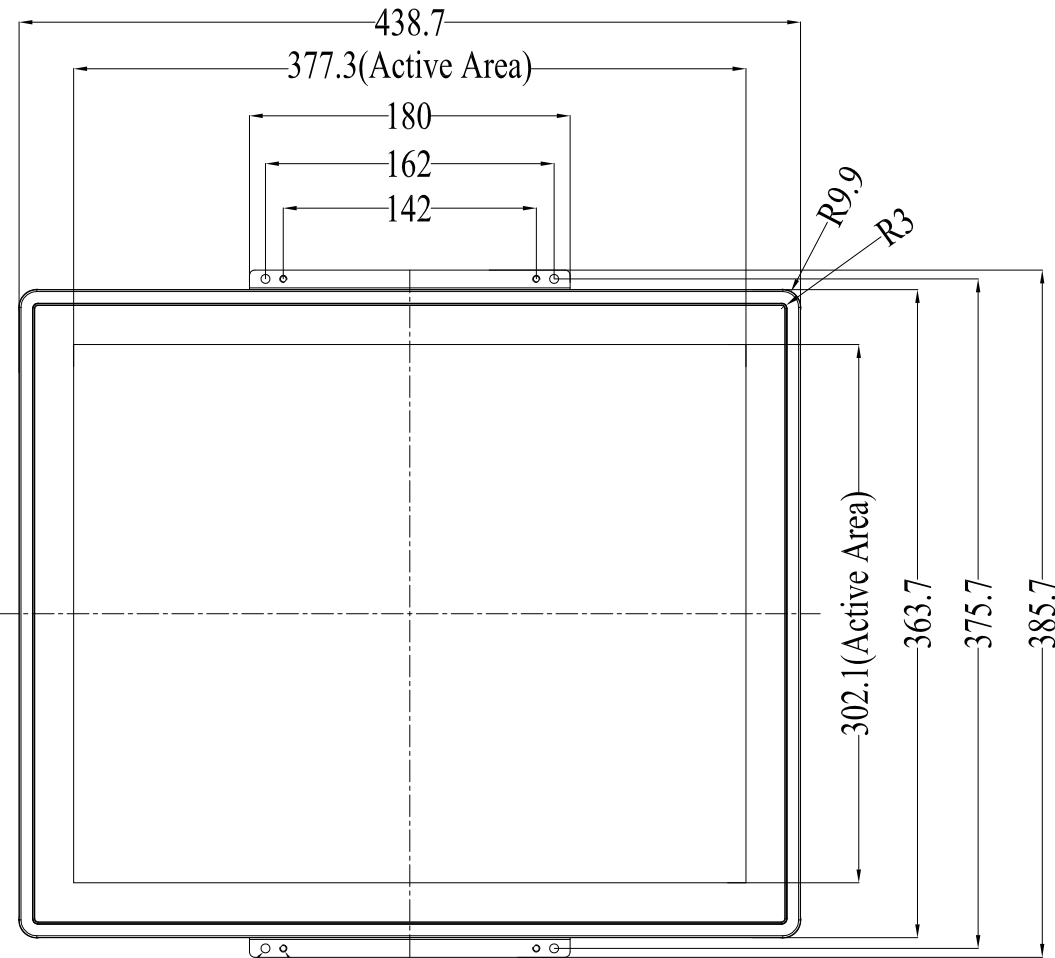
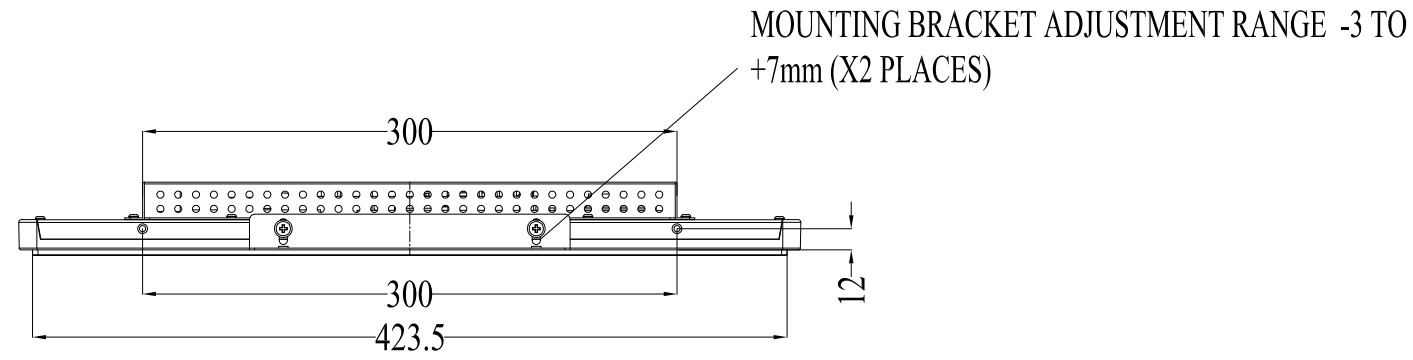


ALL DIMENSIONS ARE IN MILLIMETERS

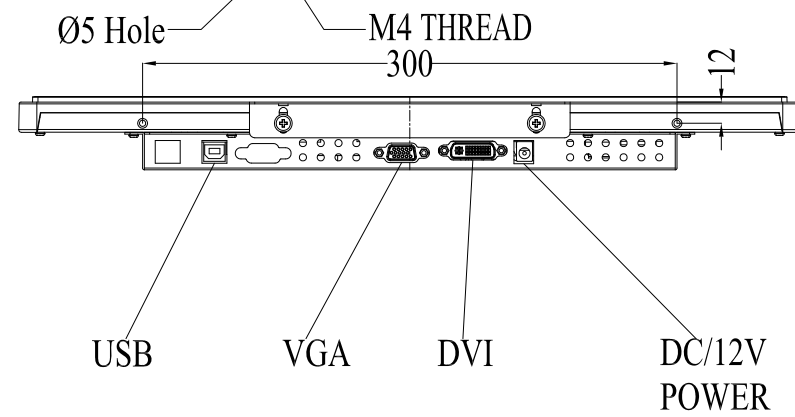
GENERAL Touch		GeneralTouch Co.,Ltd.			
SPEC or MATERIAL REMARK	External Dimensions	438.7*363.7*41	Anti-Glare	Y <input type="checkbox"/> N <input checked="" type="checkbox"/>	DESIGNER: ZhouRui
UNIT	DATE	Active Area	DustPro	Y <input type="checkbox"/> N <input checked="" type="checkbox"/>	
mm	2019/09/18	Glass Thickness	1.1		CHECKED: WangZhengHua
Projection:		Silk Print Color	Black		
SHEET 1 OF 2		Mounting	Vesa <input checked="" type="checkbox"/> Bracket <input checked="" type="checkbox"/>	NOTES	
RVE: 1.1	SCALE: 1:1	TOUCH TECHNOLOGY	P-CAP	<input checked="" type="checkbox"/>	SAW
Tolerance: ±1.0mm			IR/PIT		RESISTIVE
			Non-Touch		
					APPROVED: ZhouBoLin

TITLE: OTL193-RPC03-UCD

MARK	REVISED CONTENTS	DATE	SIGNATURE
△			



2 PCS Bracket (Optional)



ALL DIMENSIONS ARE IN MILLIMETERS

GENERAL Touch		GeneralTouch Co.,Ltd.			
SPEC or MATERIAL REMARK	External Dimensions	438.7*363.7*41	Anti-Glare	Y <input type="checkbox"/> N <input checked="" type="checkbox"/>	DESIGNER: ZhouRui
UNIT	DATE	Active Area	DustPro	Y <input type="checkbox"/> N <input checked="" type="checkbox"/>	
mm	2019/09/18	Glass Thickness	1.1		CHECKED: WangZhengHua
Projection: 		Silk Print Color	Black		
SHEET 2 OF 2		Mounting	Vesa <input checked="" type="checkbox"/> Bracket <input checked="" type="checkbox"/>	NOTES	
RVE: 1.1	SCALE: 1:1	TOUCH TECHNOLOGY	P-CAP	<input checked="" type="checkbox"/>	SAW
Tolerance: ±1.0mm			IR/PIT	<input type="checkbox"/>	RESISTIVE
			Non-Touch	<input type="checkbox"/>	
					APPROVED: ZhouBoLin