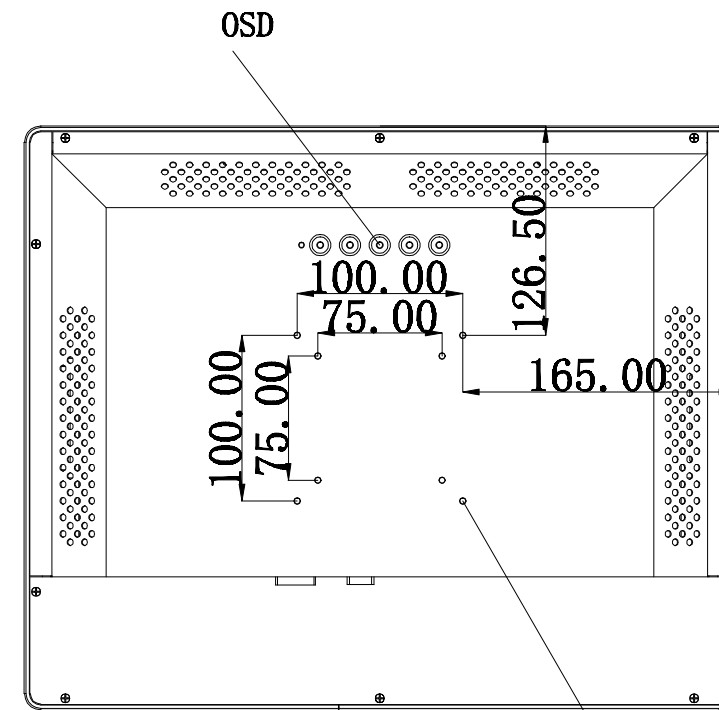
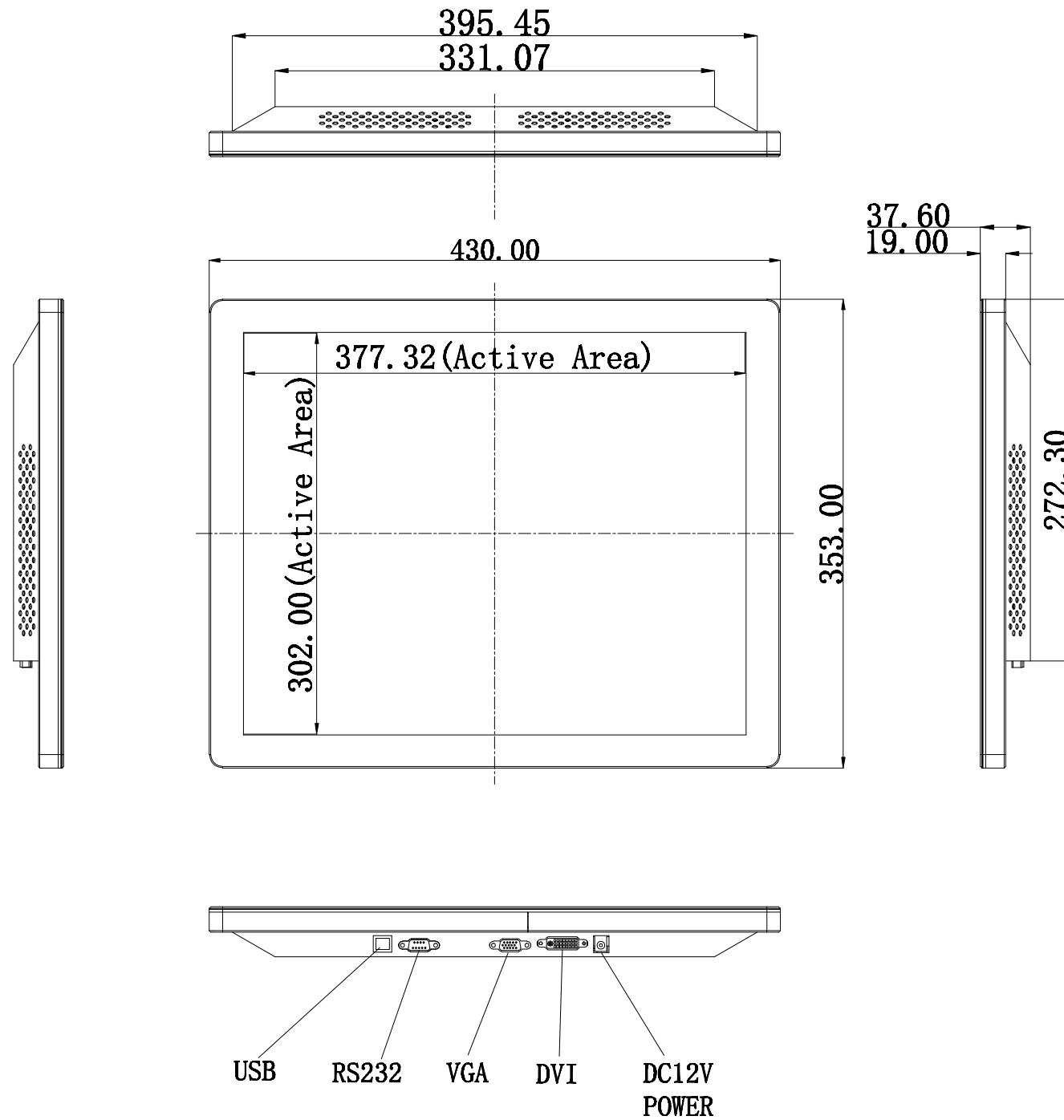


# TITLE: OTL195-RZ03-SUCD

MARK	REVISED CONTENTS	DATE	SIGNATURE
△			
△			



VESA: M4 THREAD  
MAX. SCREW DEPTH=6mm  
X8

ALL DIMENSIONS ARE IN MILLIMETERS

GENERAL Touch		GeneralTouch Co.,Ltd.			
SPEC or MATERIAL REMARK	External Dimensions	430*353*37.6	Anti-Glare	Y <input type="checkbox"/> N <input checked="" type="checkbox"/>	DESIGNER:
UNIT	DATE	Active Area	DustPro	Y <input type="checkbox"/> N <input checked="" type="checkbox"/>	WangZhengHua
mm	2020/03/04	Glass Thickness			
Projection:		Silk Print Color	Black		
		Mounting	Vesa <input checked="" type="checkbox"/> Bracket <input type="checkbox"/>		CHECKED:
SHEET 1 OF 1		NOTES			DuanWenBin
RVE: 1.0	SCALE: 1:1	TOUCH TECHNOLOGY	P-CAP	SAW	APPROVED:
Tolerance: ±1.0mm			IR/PIT	RESISTIVE	ZhouBoLin
			Non-Touch		