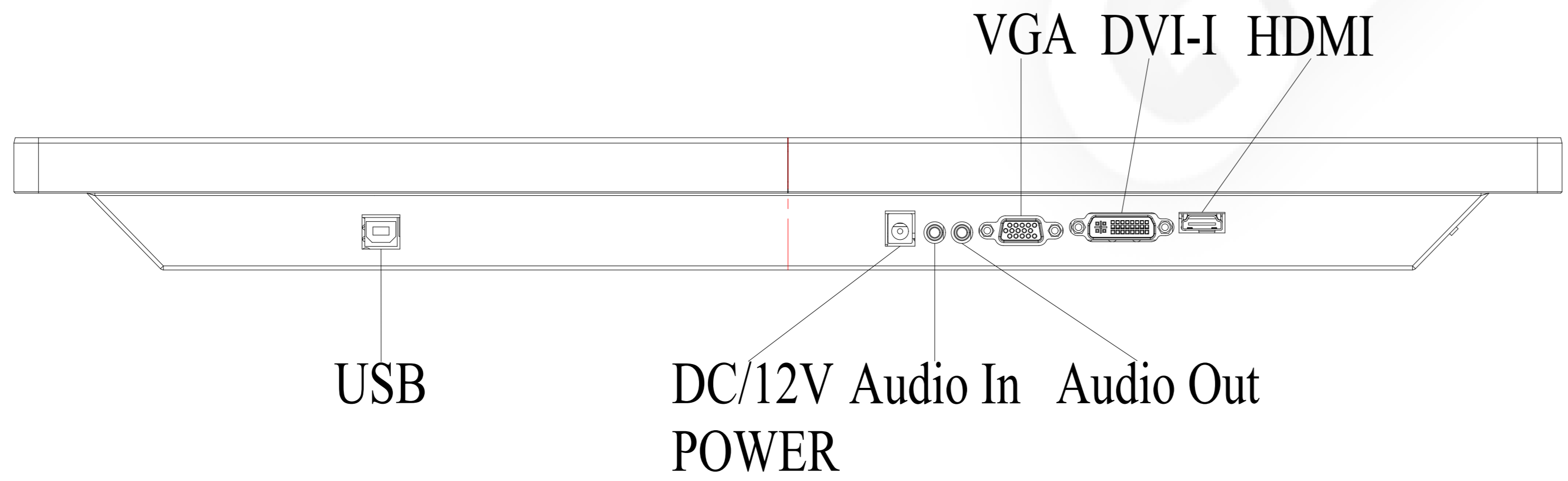
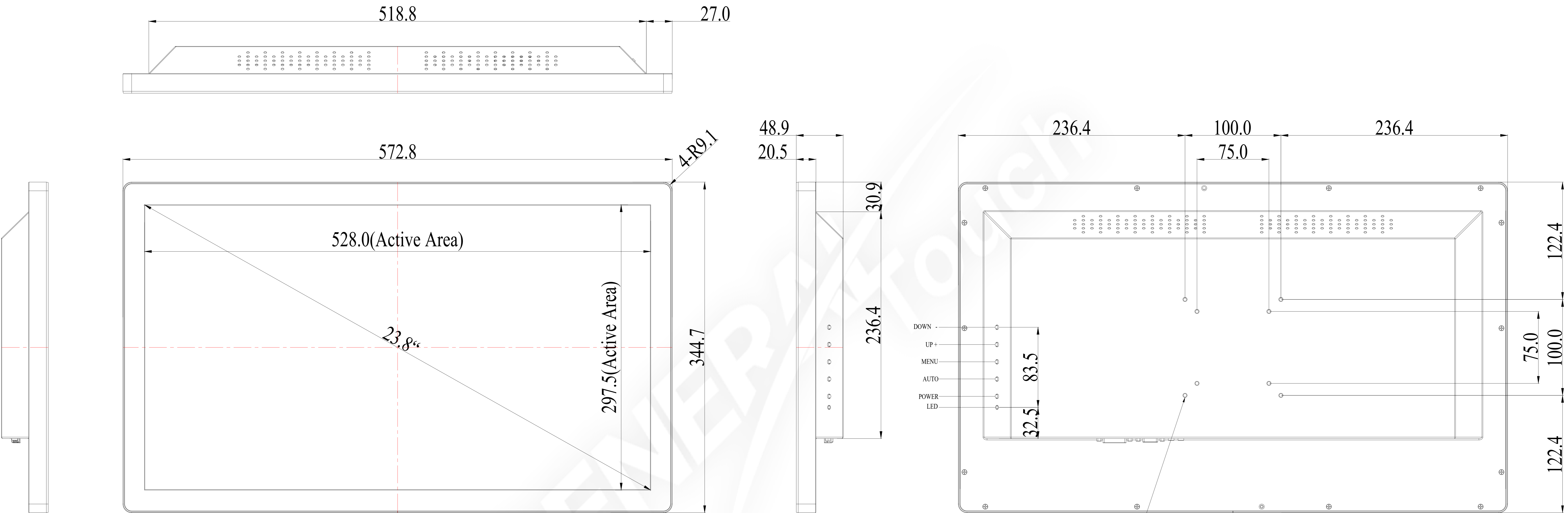


# Title: OTL245-RC5B00-UH2F00-1.0

Mark	Revised Contents	Signature
△		



**ALL DIMENSIONS ARE IN MILLIMETERS**

<b>GENERAL Touch</b>		General Touch Co., Ltd.			
Specification	External Dimensions	572.8*344.7*48.9	Anti-Glare	<input type="checkbox"/> Y <input checked="" type="checkbox"/> N	Designer:
Unit	Date	2021/03/18	DustProof	<input type="checkbox"/> Y <input checked="" type="checkbox"/> N	Zhou Rui
mm					Checked By:
Projection:	Glass Thickness	3 mm			Wang Zhenghua
	Silk Print Color				Approved By:
Sheet 1 of 1	Mounting	VESA <input checked="" type="checkbox"/> Bracket <input type="checkbox"/>	Notes		Zhou Bolin
VER: 0.2	Scale: 1:1		The sheet metal parts shall not be exposed to acidic substances		
Tolerance: ±1.0mm	Touch Technology	P-CAP <input checked="" type="checkbox"/> SAW <input type="checkbox"/>			
		IR/PIT <input type="checkbox"/> Resistive <input type="checkbox"/>			
		Non-Touch <input type="checkbox"/>			