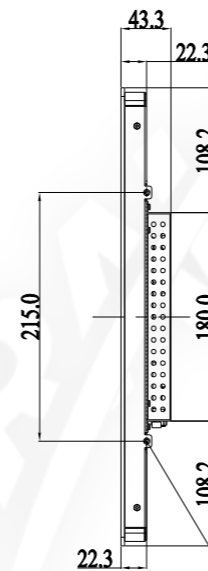
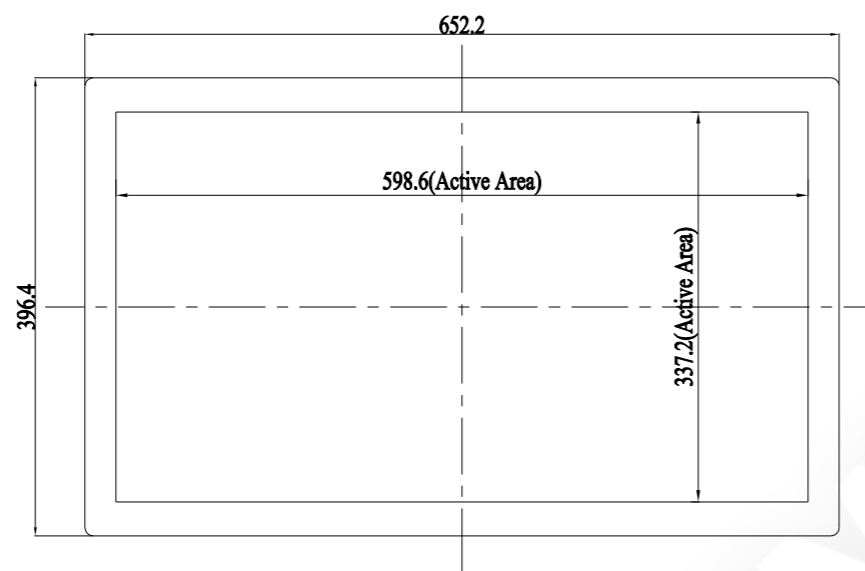
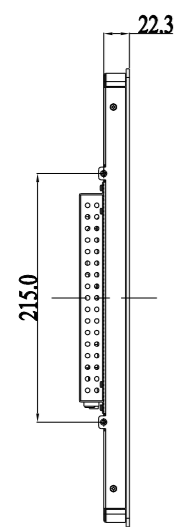
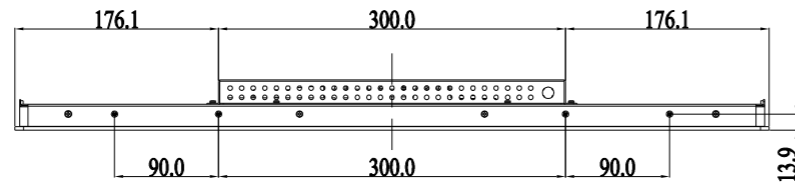
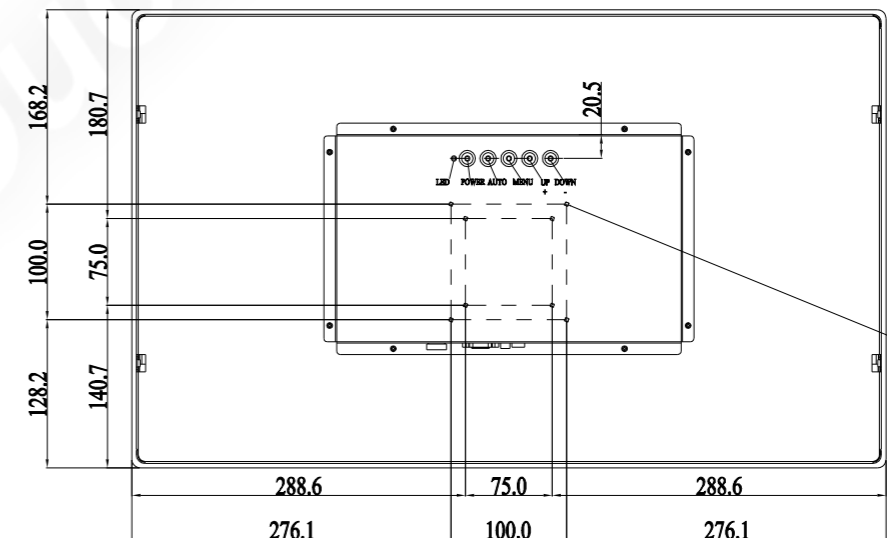
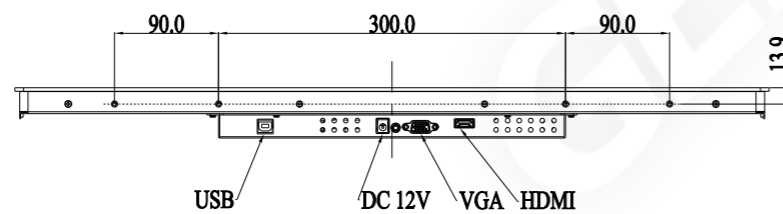


Title: OTL276-RC5000-UH4200-1.0

Mark	Revised Contents	Signature
△		



M4 THREAD, X12
MAX-SCREW DEPTH=6mm
From Mounting Surface



M4 Threads, X8
Max Screw Depth=8mm
From Mounting Surface

ALL DIMENSIONS ARE IN MILLIMETERS

GENERAL Touch		GeneralTouch Co., Ltd.			
Specification	External Dimensions	652.2*396.4*43.3	Anti-Glare	Y <input type="checkbox"/> N <input checked="" type="checkbox"/>	Designer: Wang Chao
Unit	Date	Active Area	DustProof	Y <input type="checkbox"/> N <input checked="" type="checkbox"/>	
mm	2023/03/16	Glass Thickness	3 mm		Checked By: Wang Zhenghua
Projection:		Silk Print Color			
Sheet 1 of 1		Mounting	VESA <input checked="" type="checkbox"/> Bracket <input type="checkbox"/>		Approved By: Zhou Bolin
VER: 0.1	Scale: 1:1	Notes			
Tolerance: ±1.0mm		Touch Technology	P-CAP <input checked="" type="checkbox"/> SAW <input type="checkbox"/> IR/PIT <input type="checkbox"/> Resistive <input type="checkbox"/> Non-Touch <input type="checkbox"/>		