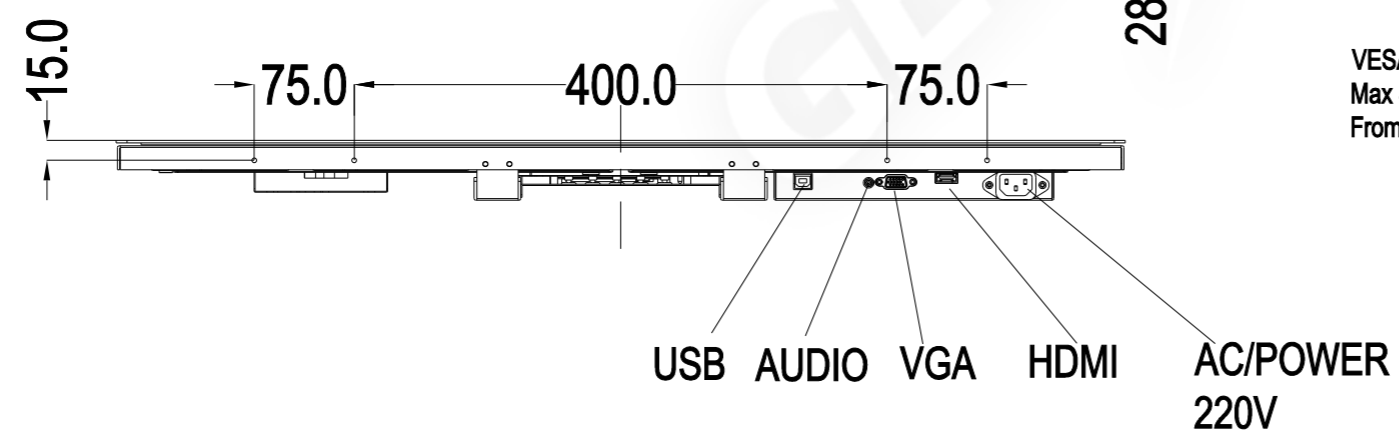
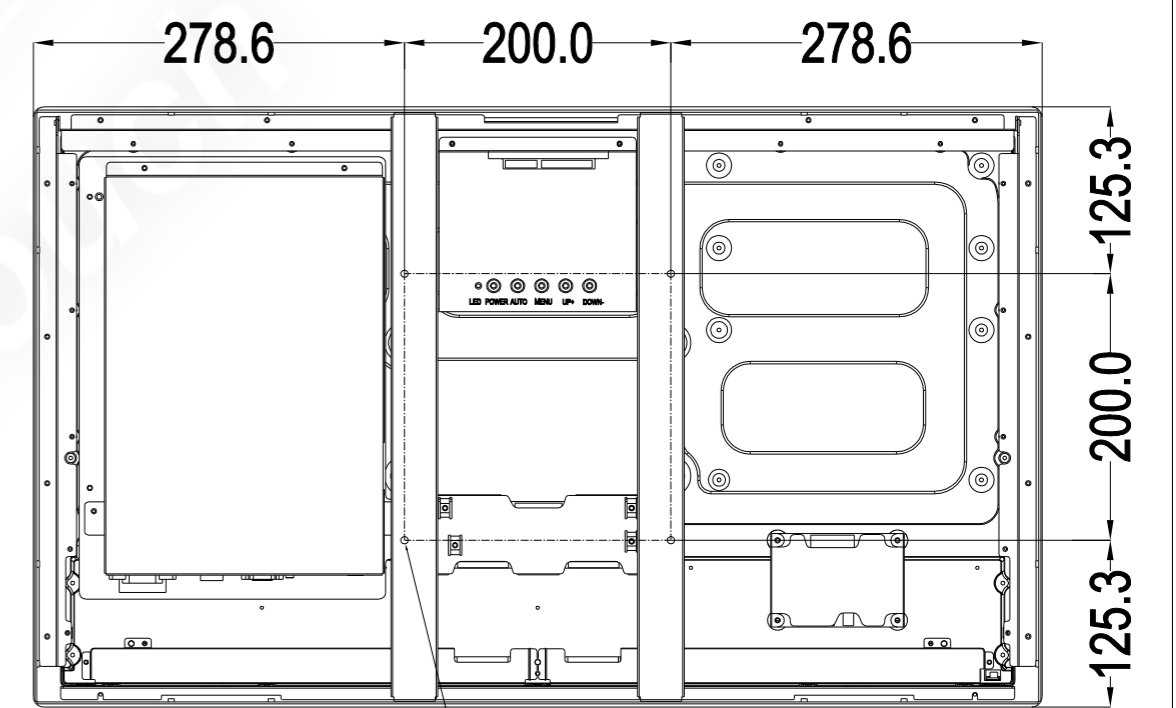
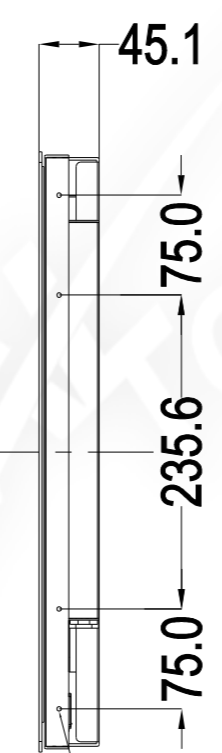
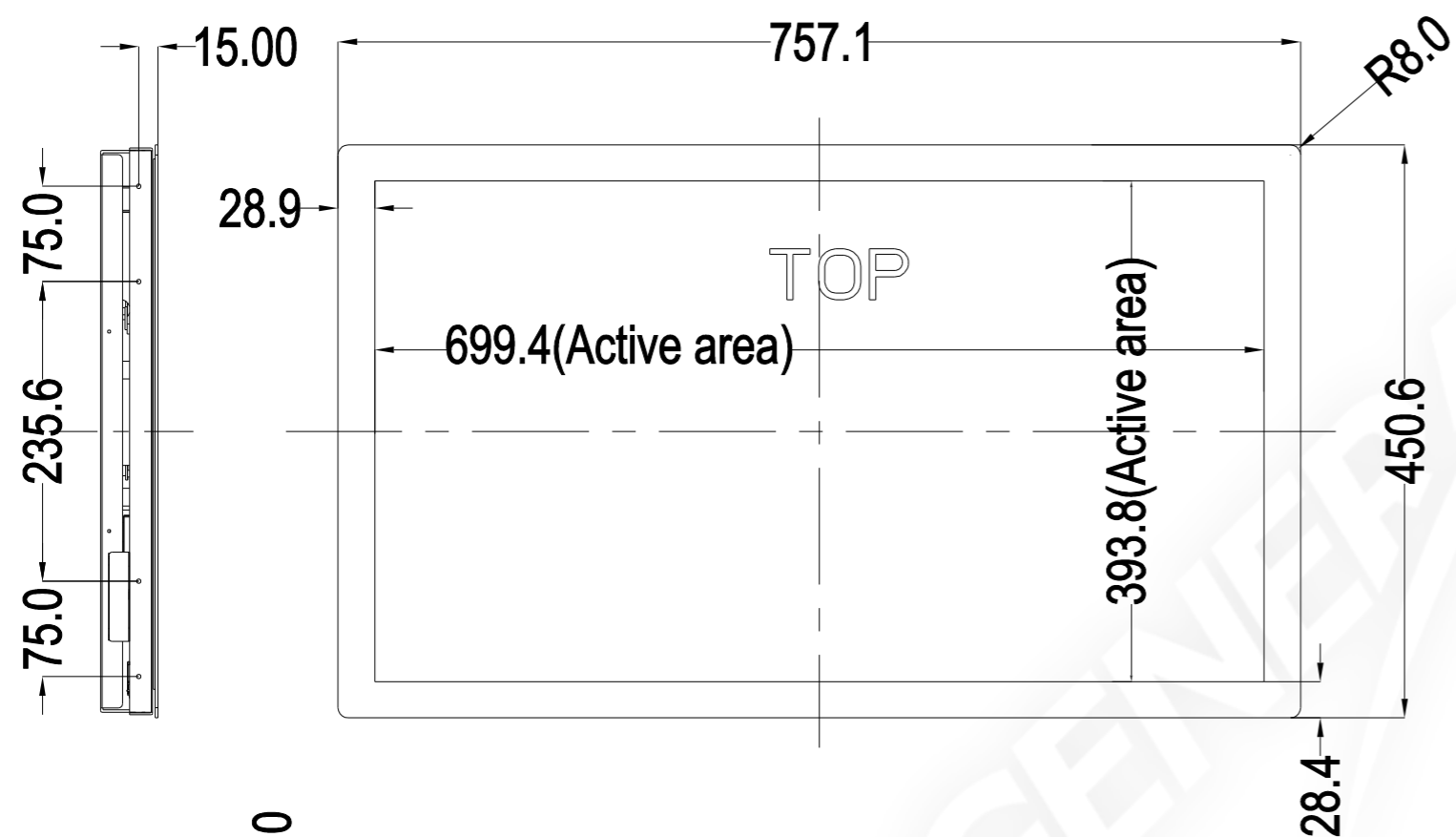
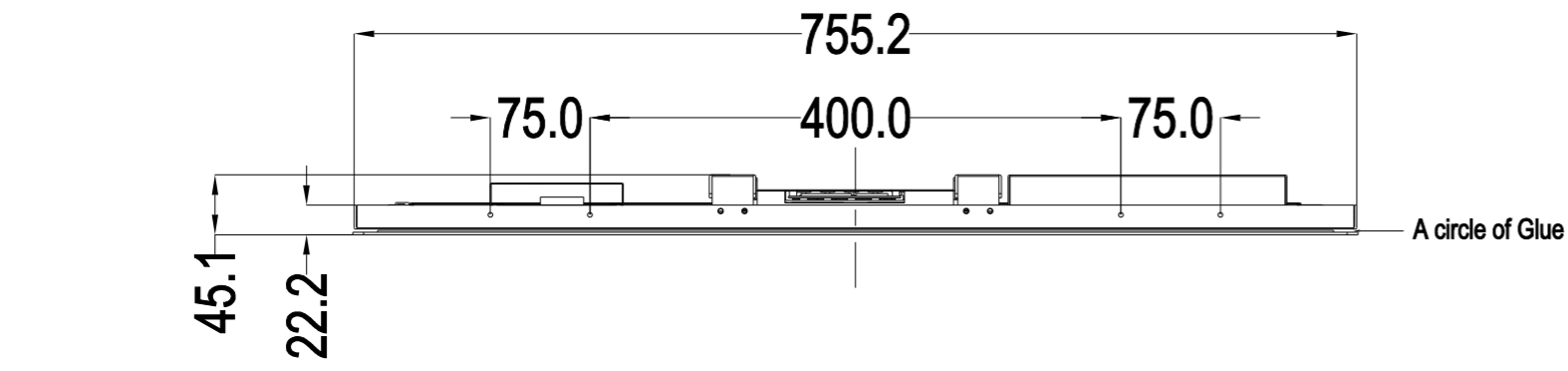


# Title: OTL326-RC4000-UH4F00-1.0

MARK	REVISED CONTENTS	DATE	SIGNATURE
△			



VESA:M4 Threads, X16  
Max Screw Depth=10mm  
From Mounting Surface

VESA:M6 Threads, X4  
Max Screw Depth=10mm  
From Mounting Surface

ALL DIMENSIONS ARE IN MILLIMETERS

<b>GENERAL Touch</b>		GeneralTouch Co.,Ltd.			
SPEC or MATERIAL REMARK	External Dimensions	757.1*450.6*45.1	Anti-Glare	Y <input type="checkbox"/> N <input checked="" type="checkbox"/>	DESIGNER:
UNIT	DATE	Active Area	DustPro	Y <input type="checkbox"/> N <input checked="" type="checkbox"/>	WangChao
mm	2023/02/07	Glass Thickness			
Projection:		Silk Print Color	Black		
		Mounting	Vesa <input checked="" type="checkbox"/> Bracket <input type="checkbox"/>		CHECKED:
SHEET 1 OF 1		NOTES			WangZhengHua
RVE: 0.1	SCALE: 1:1	TOUCH TECHNOLOGY	P-CAP	√ SAW	APPROVED:
Tolerance: ±1.5mm			IR/PIT	RESISTIVE	ZhouboLin
			Non-Touch		