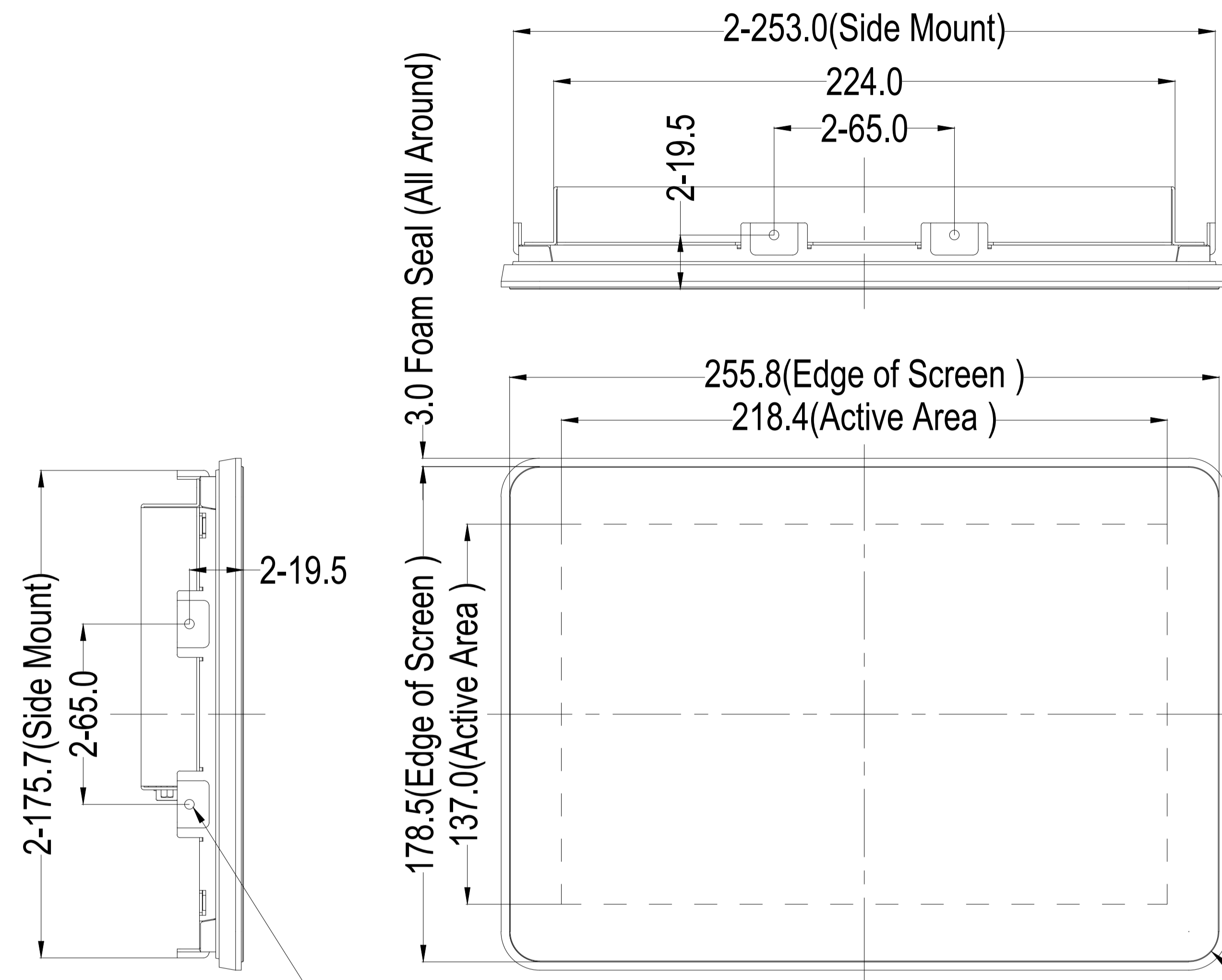
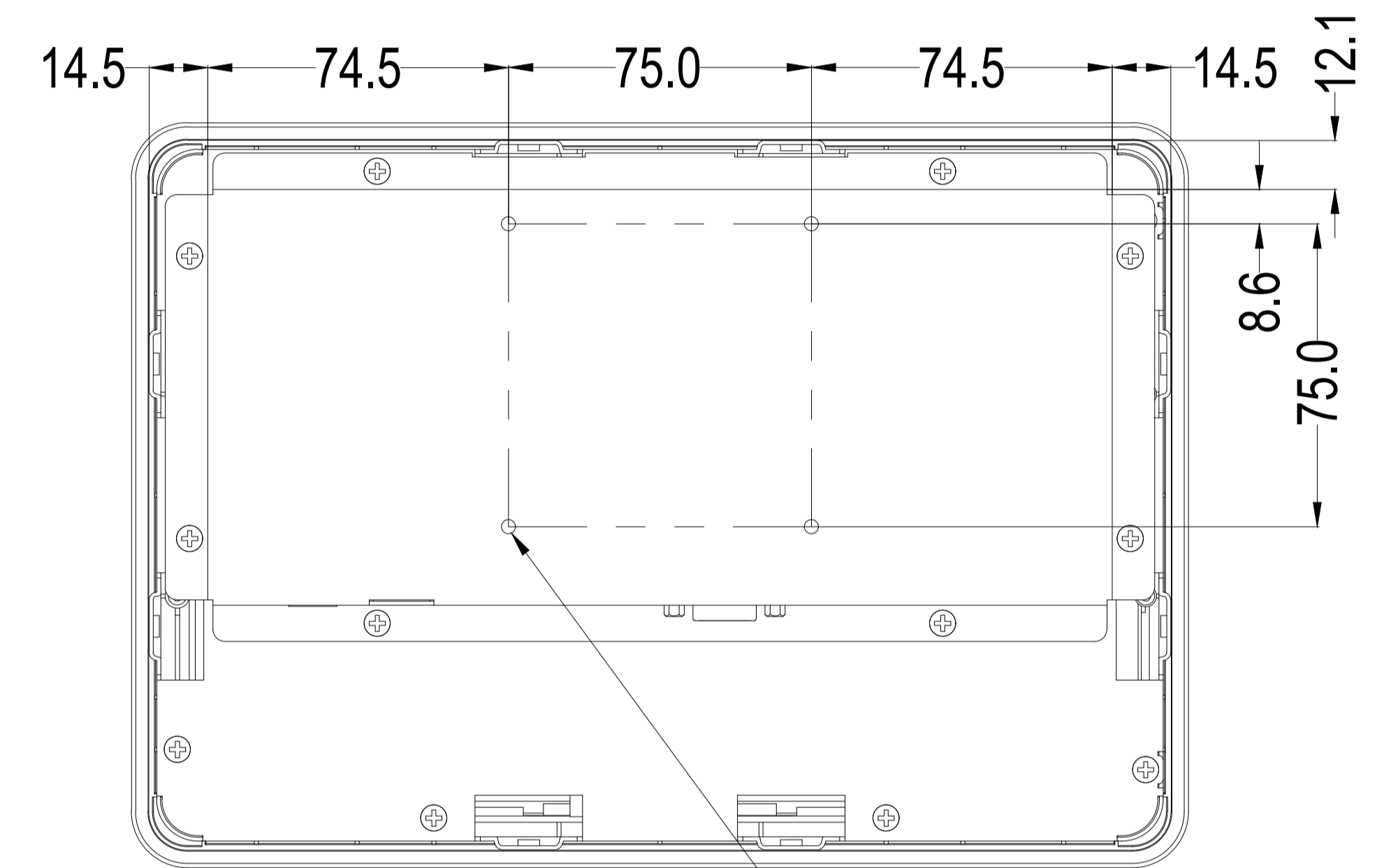
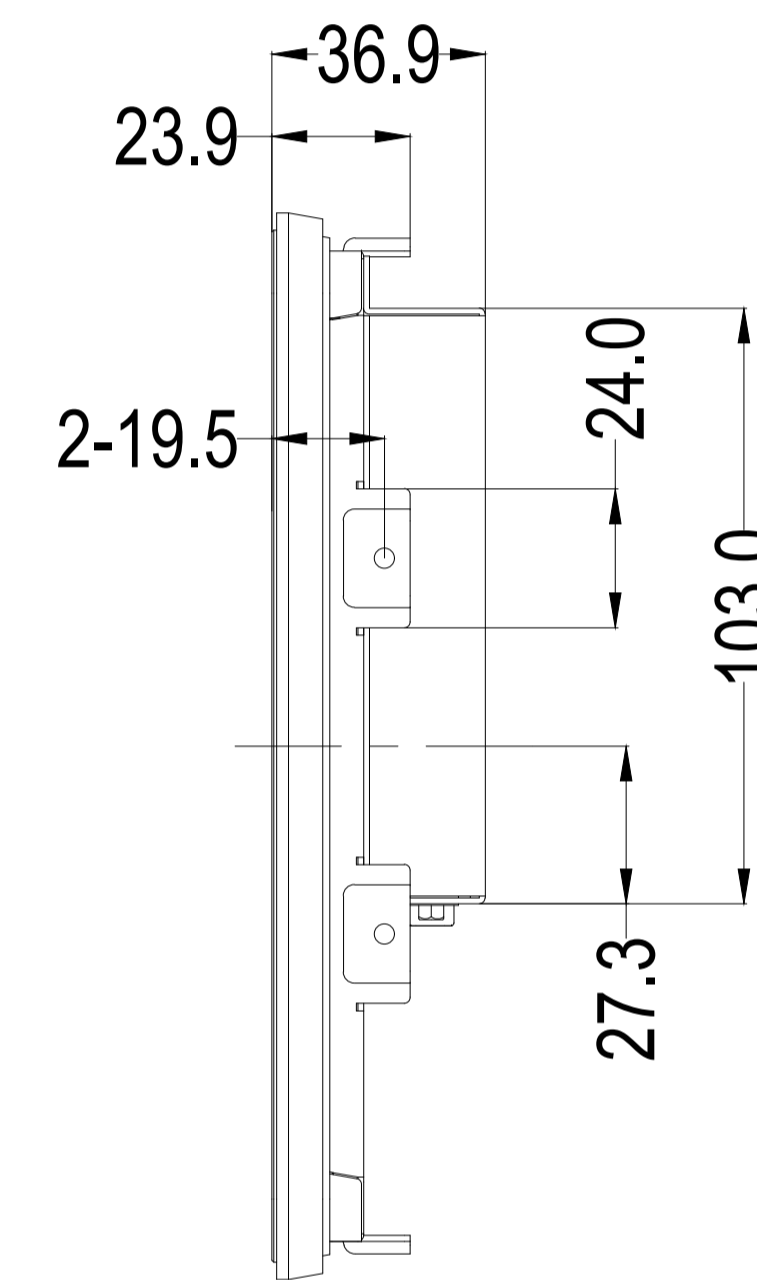
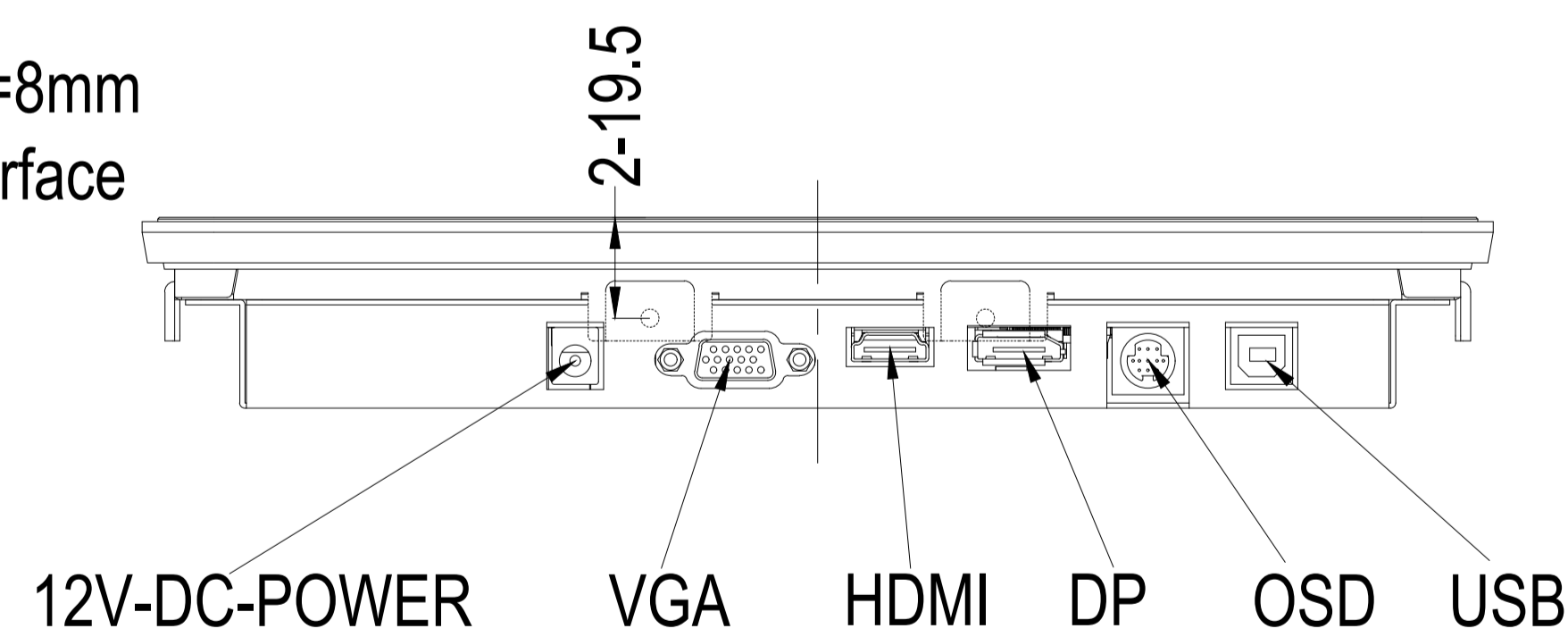


# TITLE: RTL106-RC4000-UD3A00-1.0

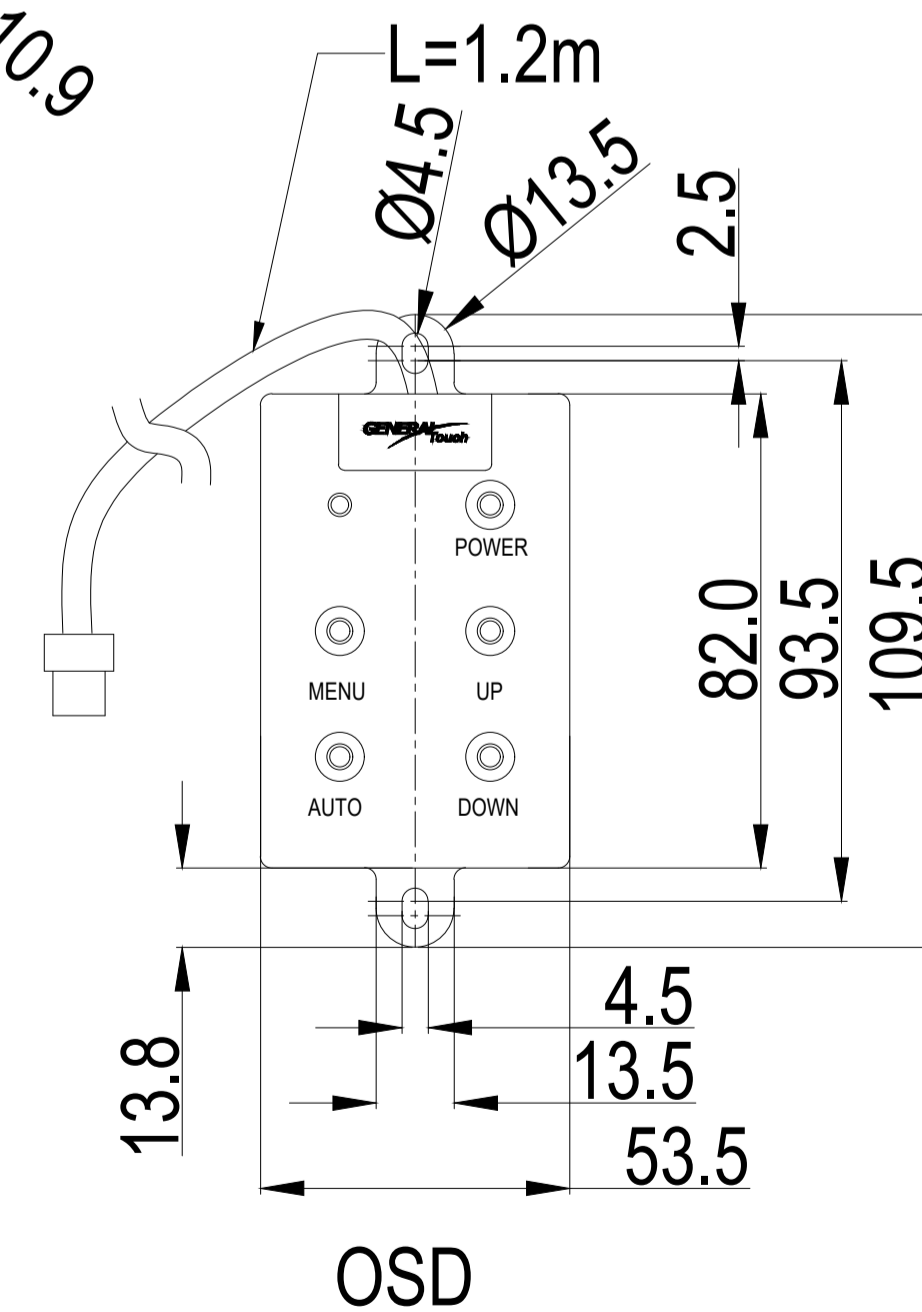
Mark	Revised Contents	Signature
△		



M4 Threads, X8  
Max Screw Depth=8mm  
From Mounting Surface



M4 Threads, X4  
Max Screw Depth=6mm  
From Mounting Surface



**ALL DIMENSIONS ARE IN MILLIMETERS**

<b>GENERAL Touch</b>		GeneralTouch Co., Ltd.			
Specification	External Dimensions	261.8*184.5*36.9	Anti-Glare	Y <input type="checkbox"/> N <input checked="" type="checkbox"/>	Designer: Han Jin
Unit	Date	Active Area	DustProof	Y <input type="checkbox"/> N <input checked="" type="checkbox"/>	
mm	2021/06/25	218.4*137			Checked By: Wang Zhenghua
Projection:		Glass Thickness	Mounting		
Sheet 1 of 1		2 mm	VESA <input checked="" type="checkbox"/>	Bracket <input type="checkbox"/>	
VER: 0.1	Scale: 1:1	Silk Print Color	Notes		Approved By: Zhou Bolin
Tolerance: ±1.0mm					
		Touch Technology	P-CAP <input checked="" type="checkbox"/>	SAW <input type="checkbox"/>	
			IR/PIT <input type="checkbox"/>	Resistive <input type="checkbox"/>	
			Non-Touch <input type="checkbox"/>		