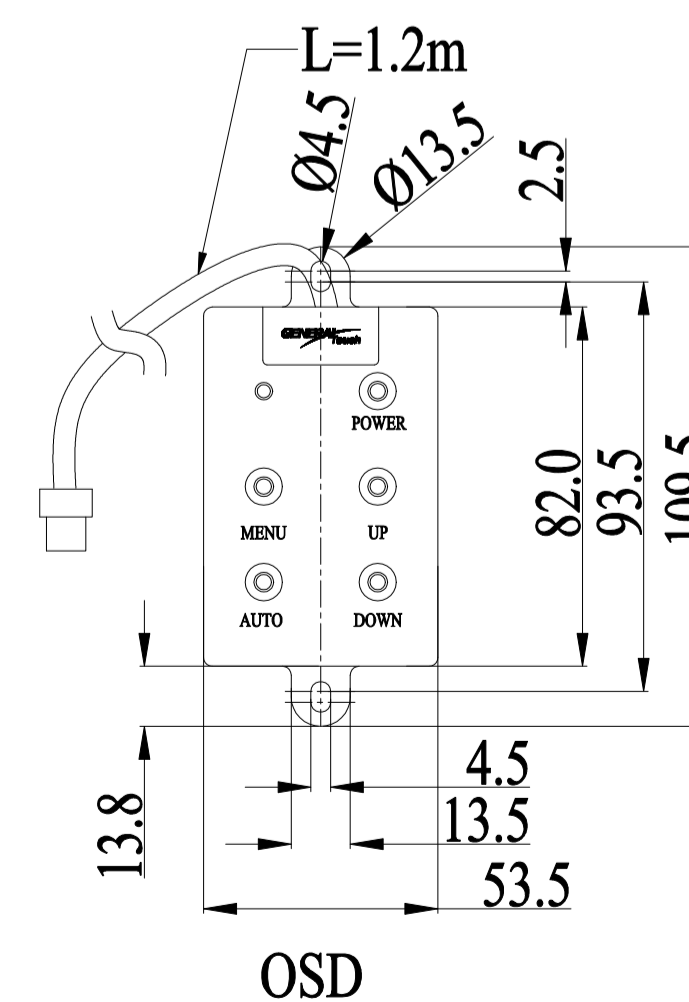
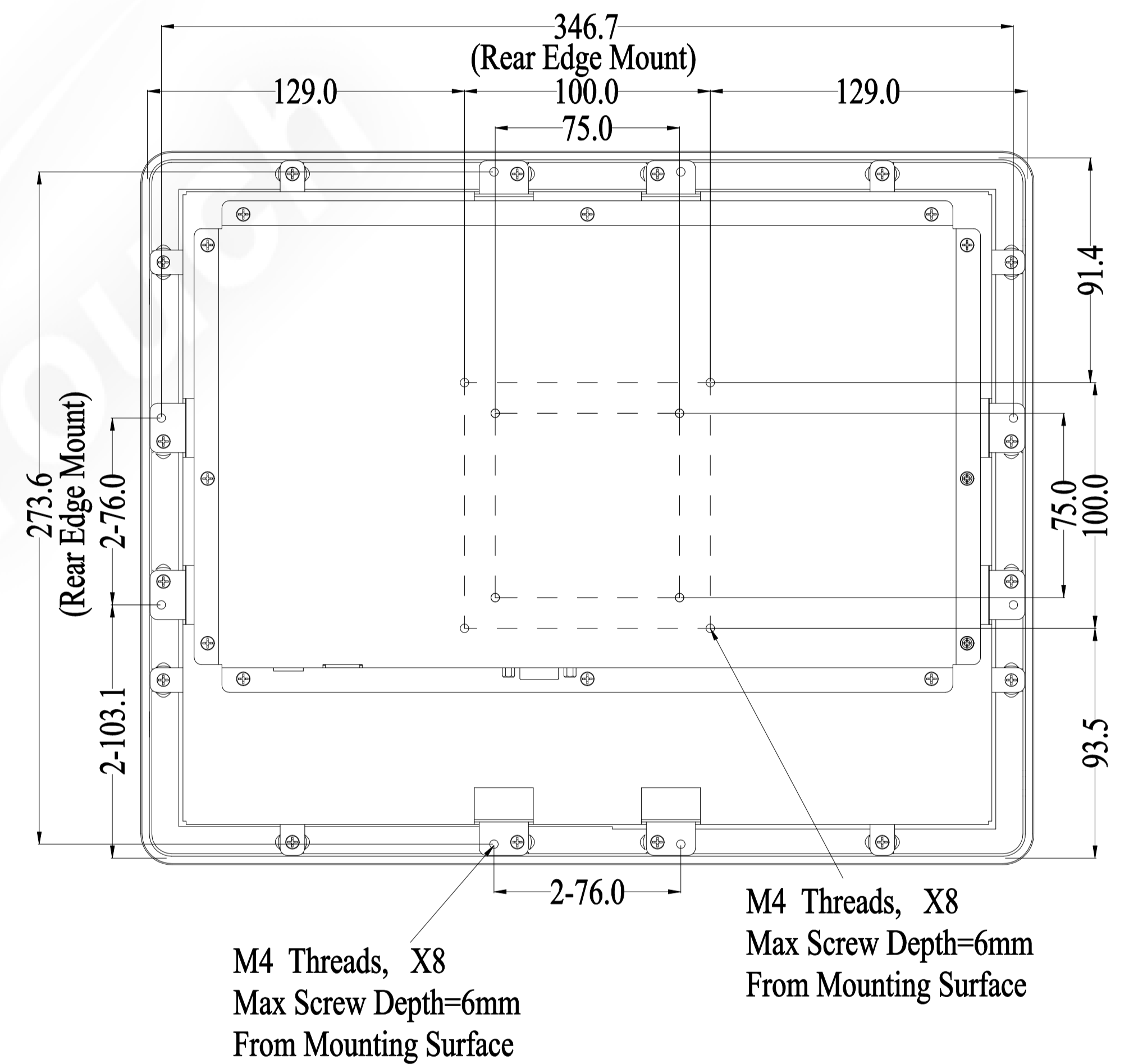
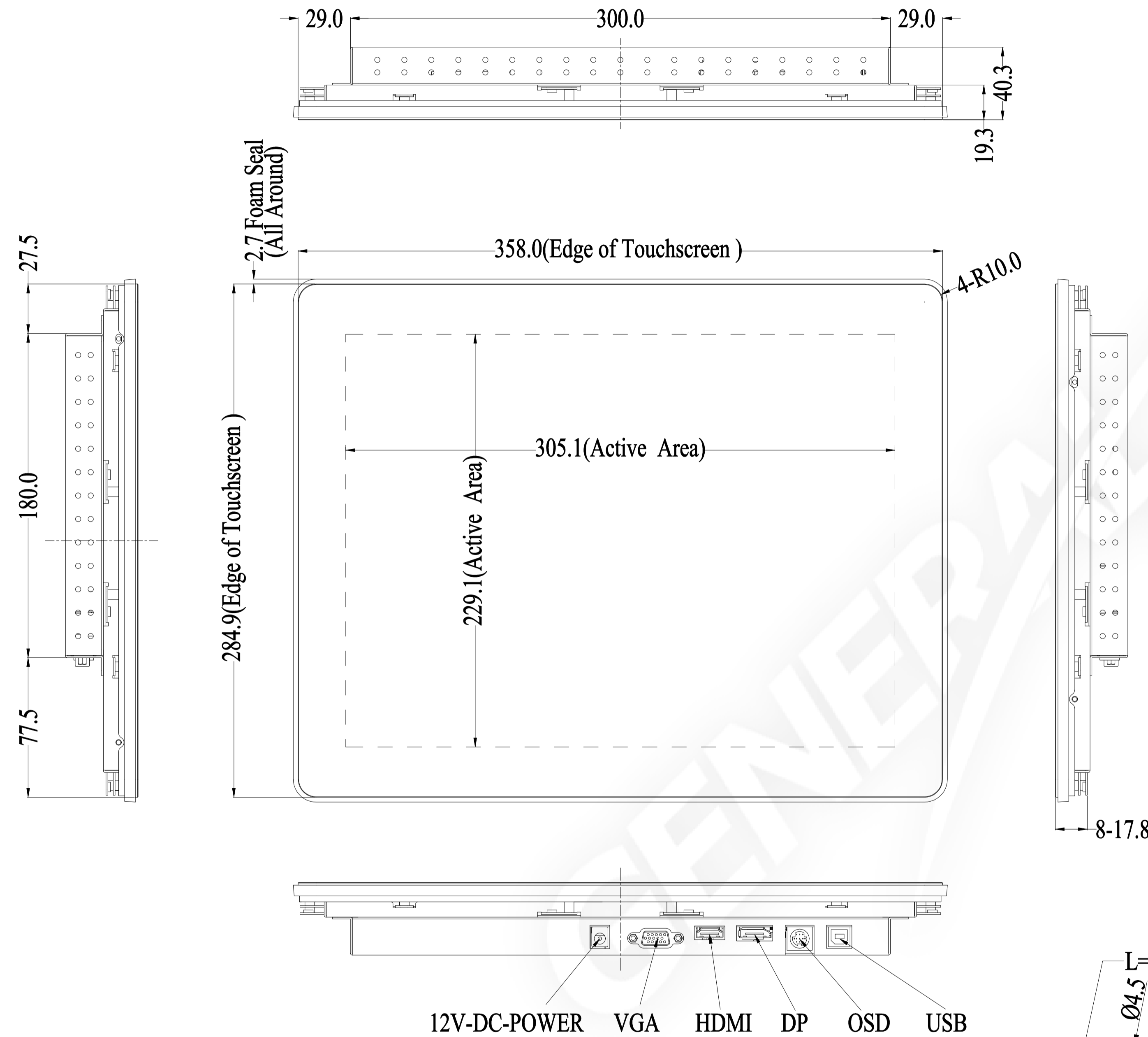


# Title: RTL15L-LC5000-UD3A00-1.0

Mark	Revised Contents	Signature
△		

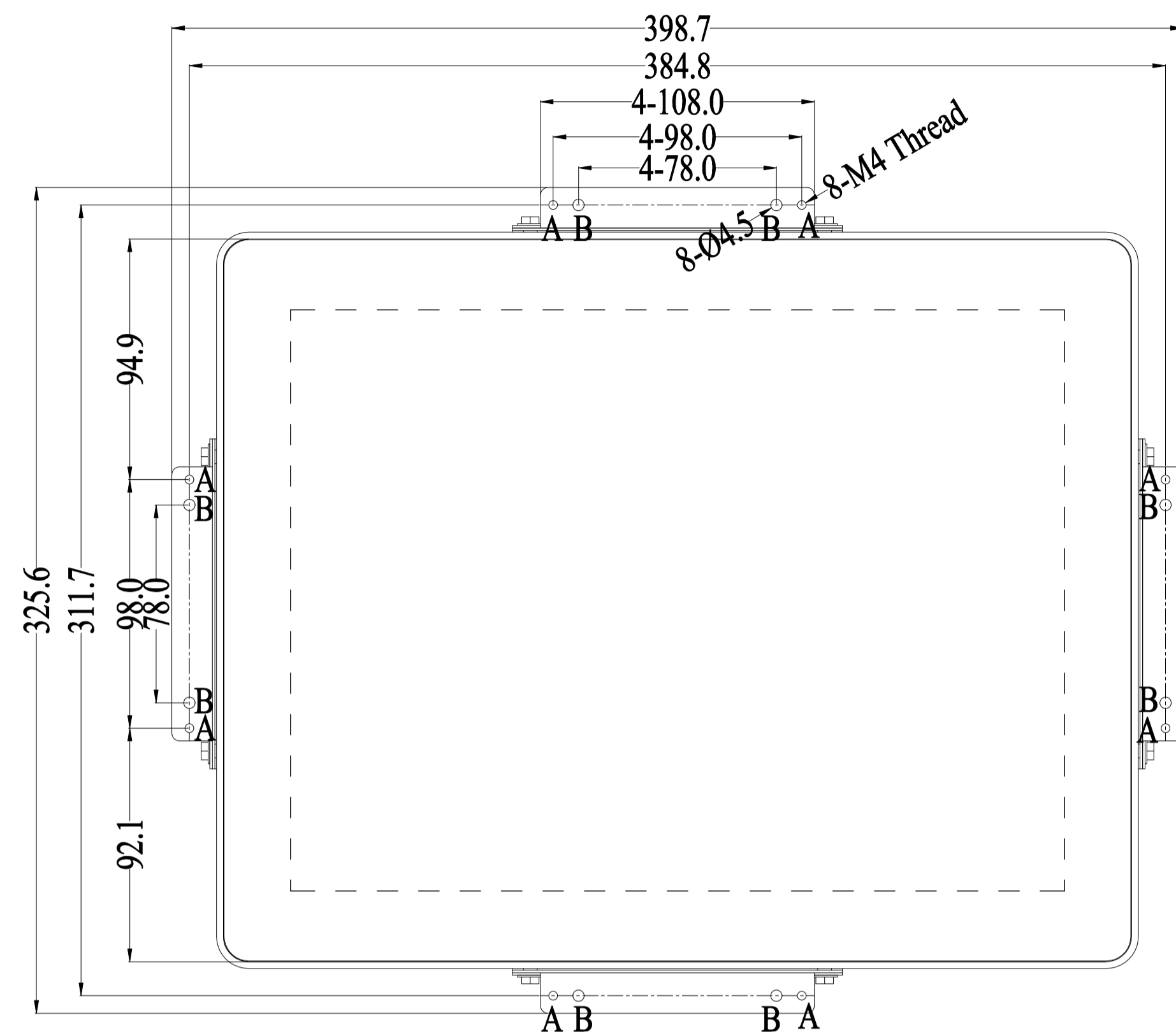


**ALL DIMENSIONS ARE IN MILLIMETERS**

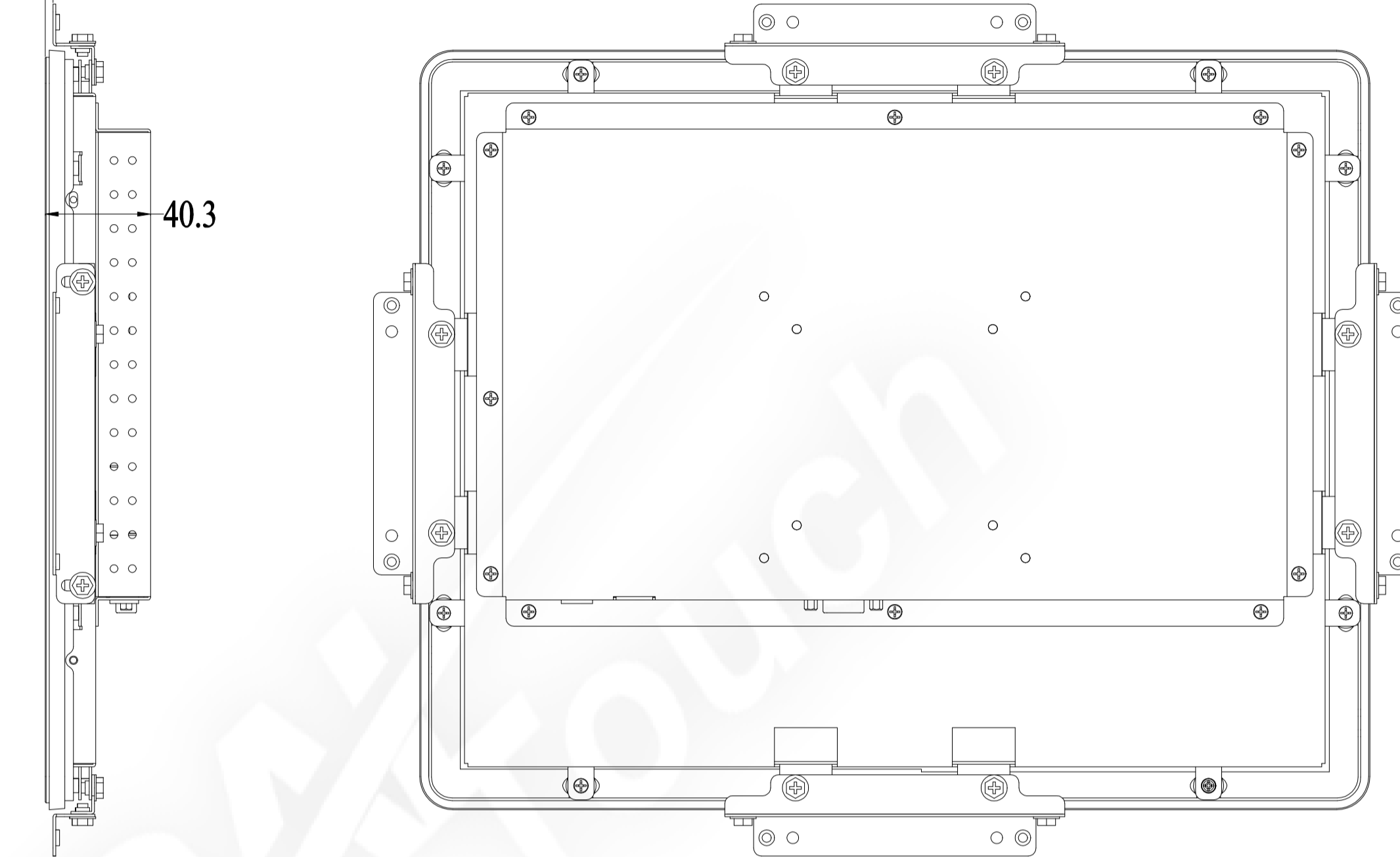
GENERAL Touch		GeneralTouch Co., Ltd.			
Specification	External Dimensions	358*284.9*40.3	Anti-Glare	Y <input type="checkbox"/> N <input checked="" type="checkbox"/>	Designer:
Unit	Date	Active Area	DustProof	Y <input type="checkbox"/> N <input checked="" type="checkbox"/>	Han Jin
mm	2023/08/01	Glass Thickness			Checked By: Wang Zhenghua
Projection:		Silk Print Color			
Sheet 1 of 2		Mounting	VESA <input checked="" type="checkbox"/>	Bracket <input checked="" type="checkbox"/>	Approved By: Zhou Bolin
VER: 0.1	Scale: 1:1	Notes			
Tolerance: ±1.0mm		Touch Technology	P-CAP	√	SAW
			IR/PIT		Resistive
			Non-Touch		

# Title: RTL15L-LC5000-UD3A00-1.0

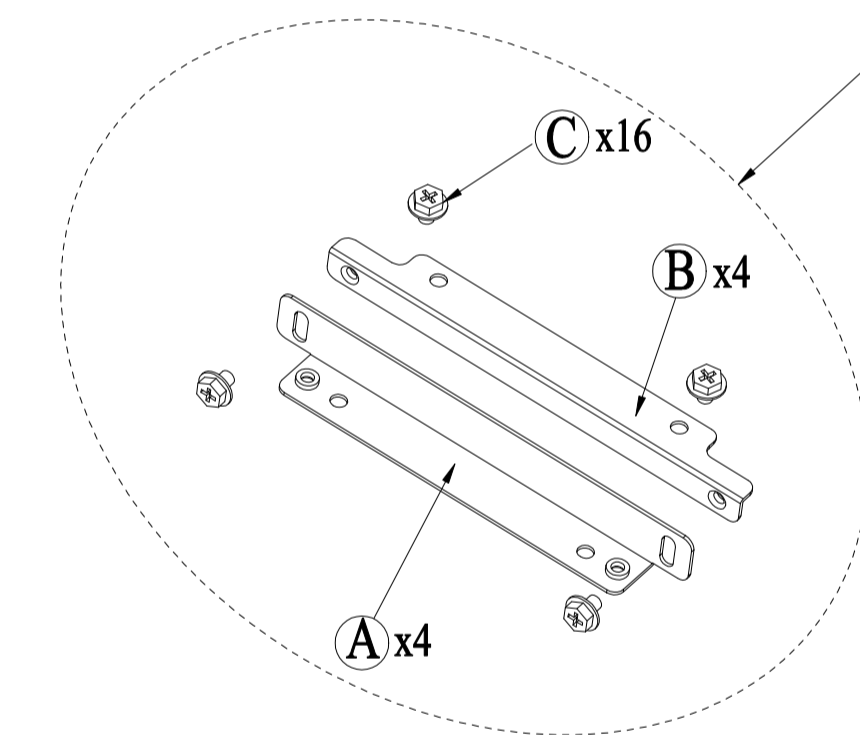
Mark	Revised Contents	Signature
△		



Ad Justment Range=3 To 9 MM



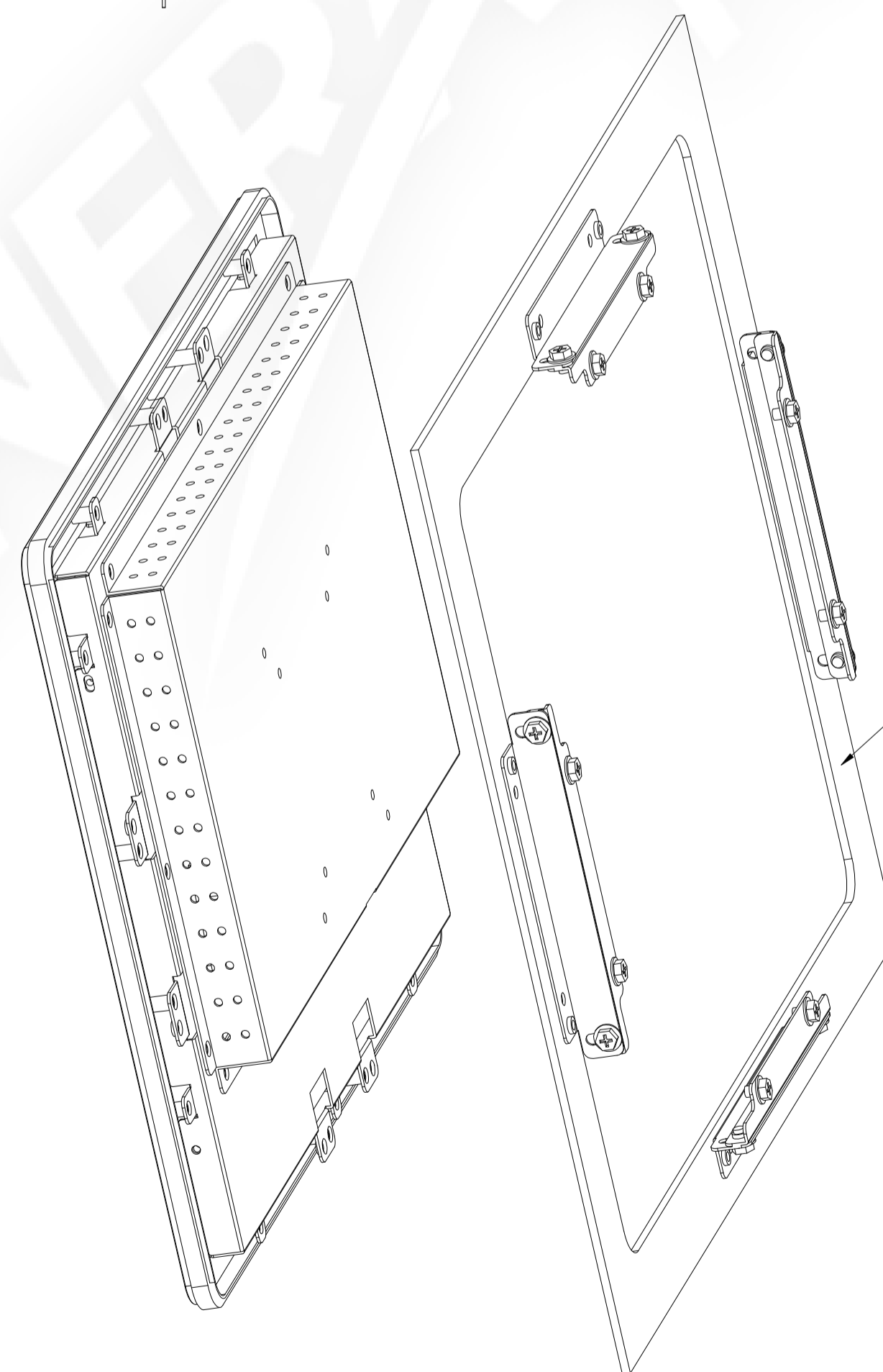
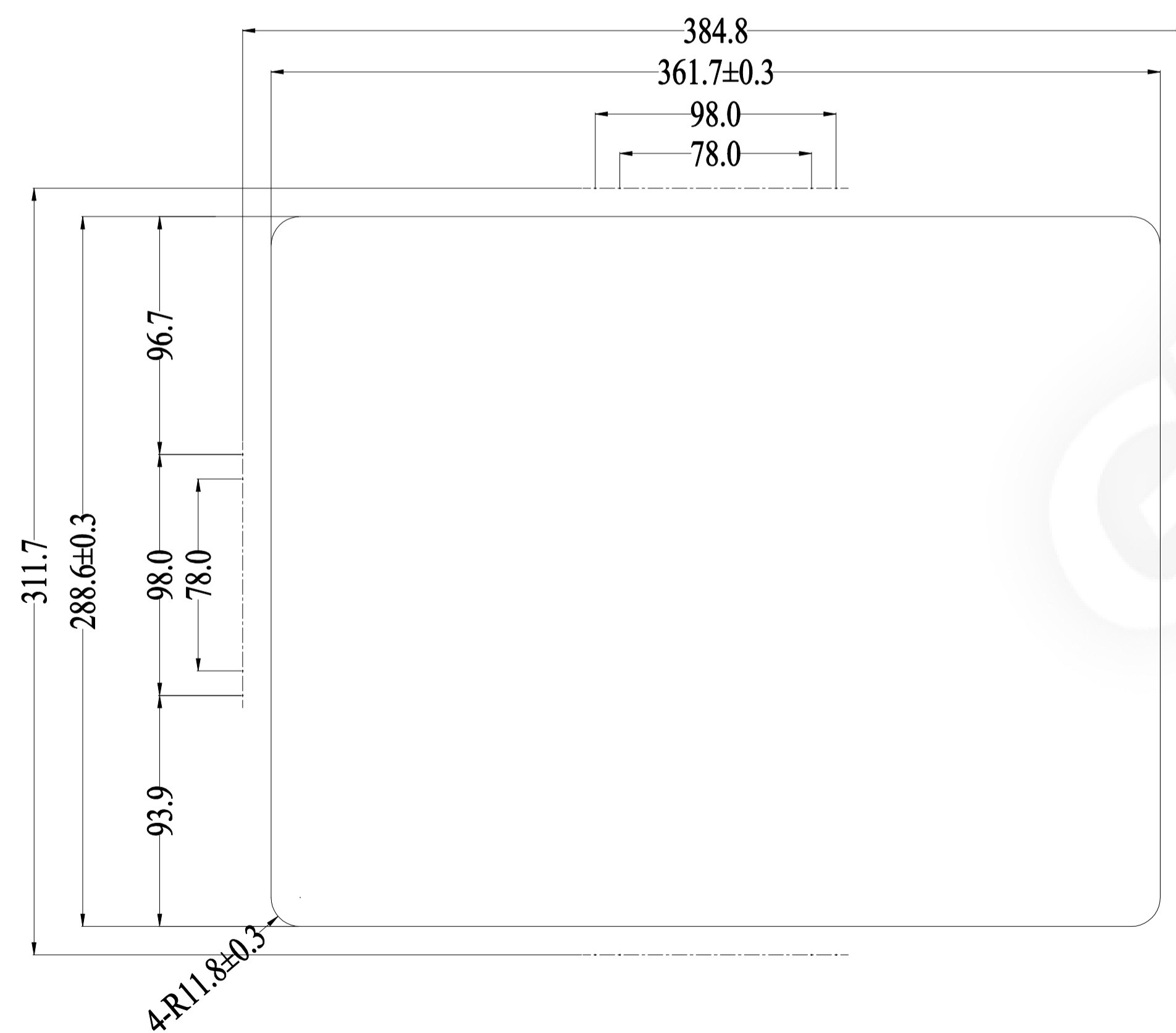
120400539R Mounting bracket assembly is optional



Customer Panel (Not Included)  
Min Thickness = 4 mm  
Max Thickness = 12 mm

### Optional Accessories

Part Number	Description	Qty
120400539R	Mounting bracket assembly	1



GeneralTouch Co., Ltd.

Specification	External Dimensions	398.7*325.6*40.3	Anti-Glare	<input type="checkbox"/> Y <input checked="" type="checkbox"/> N	Designer: Han Jin	
Unit	Date	mm	2023/08/01	DustProof		<input type="checkbox"/> Y <input checked="" type="checkbox"/> N
Projection:	Active Area	305.1*229.1	Glass Thickness	3 mm	Checked By: Wang Zhenghua	
	Silk Print Color		Mounting	VESA <input checked="" type="checkbox"/>		Bracket <input checked="" type="checkbox"/>
Sheet 2 of 2	Notes				Approved By: Zhou Bolin	
VER: 0.1	Scale: 1:1	Touch Technology	P-CAP	<input checked="" type="checkbox"/>		SAW
Tolerance: ±1.0mm			IR/PIT			Resistive
			Non-Touch			

**ALL DIMENSIONS ARE IN MILLIMETERS**