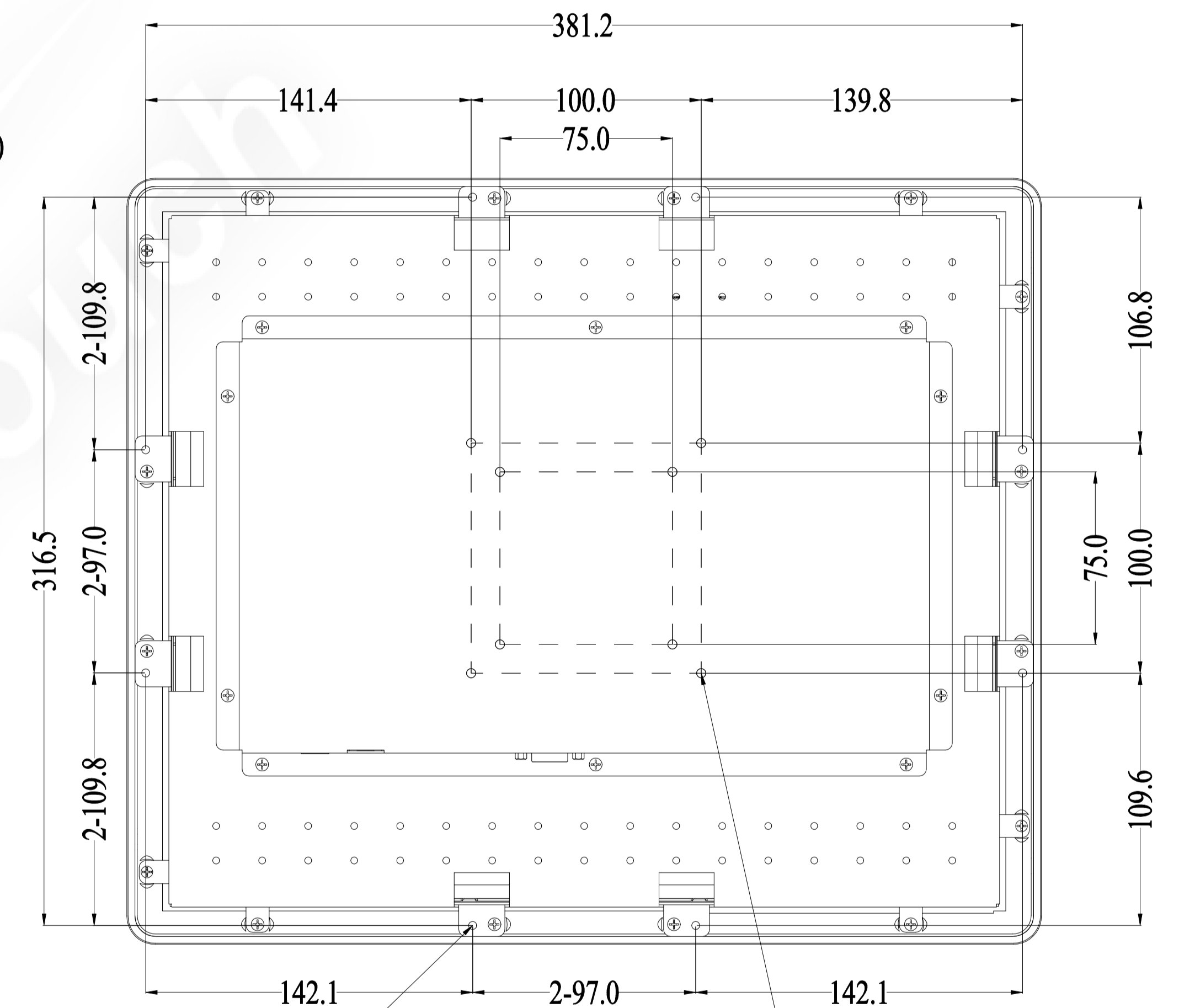
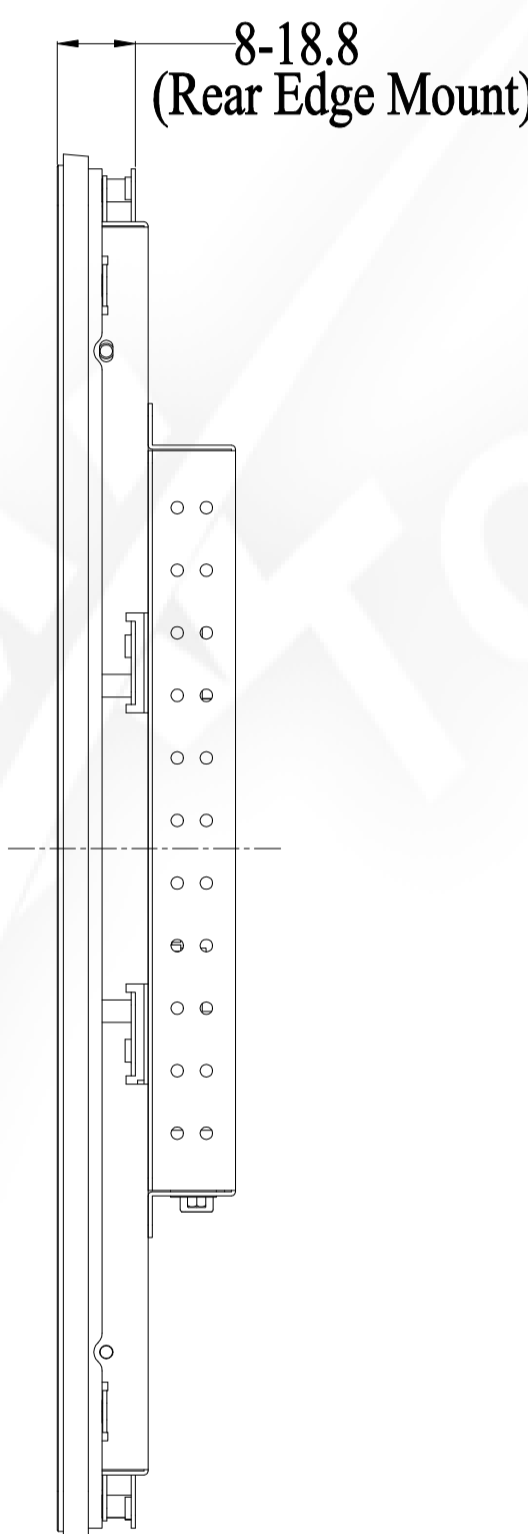
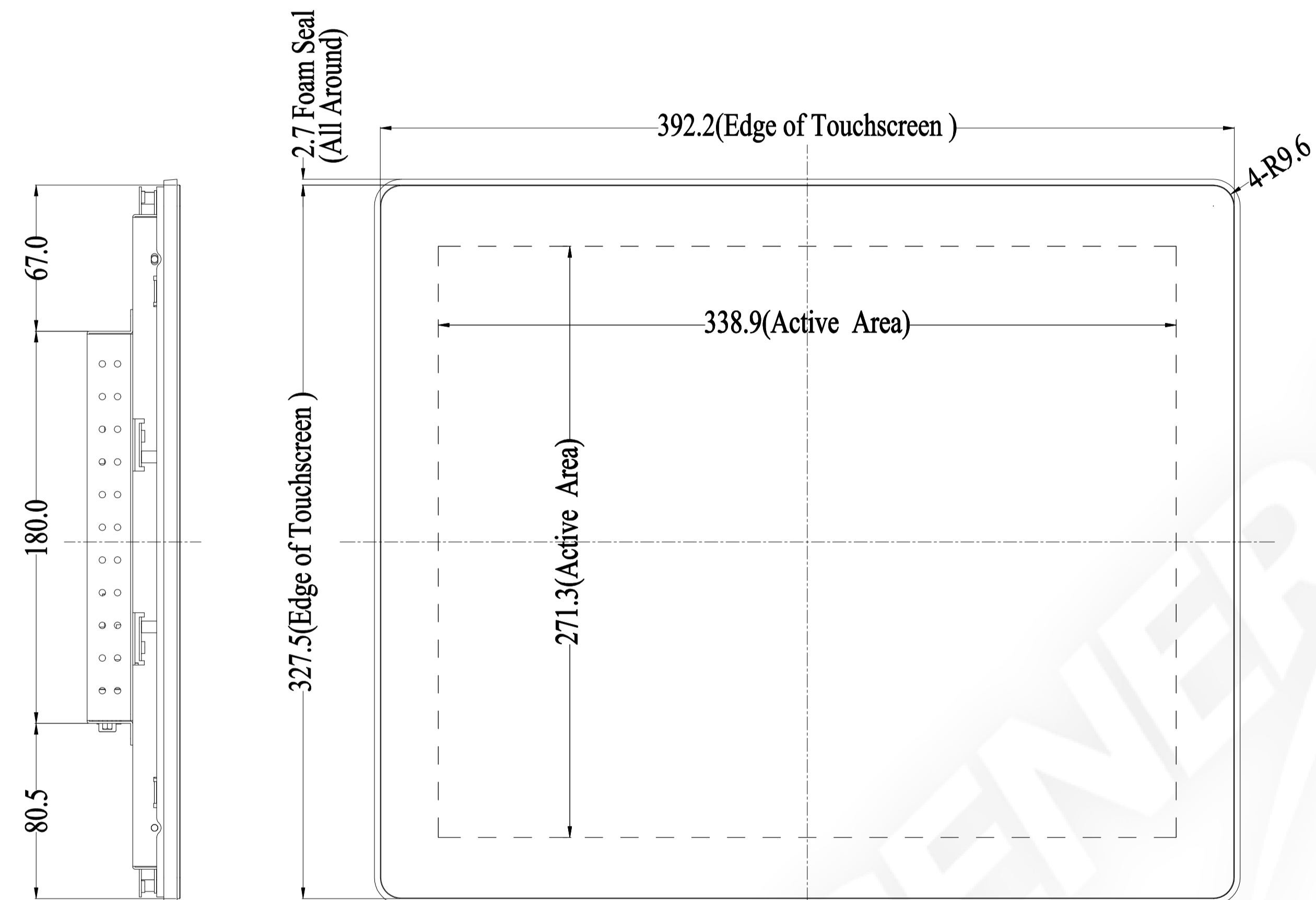
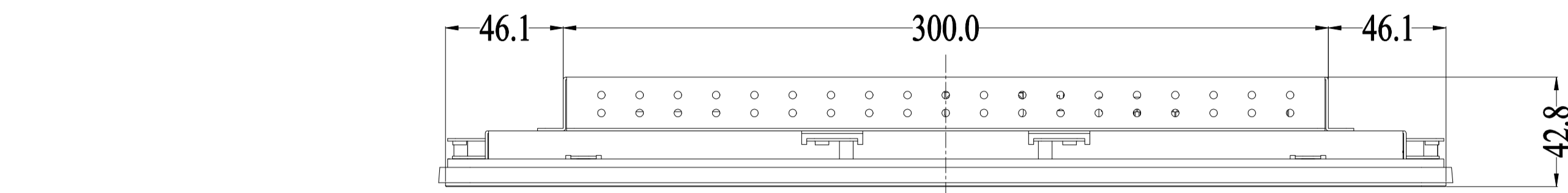


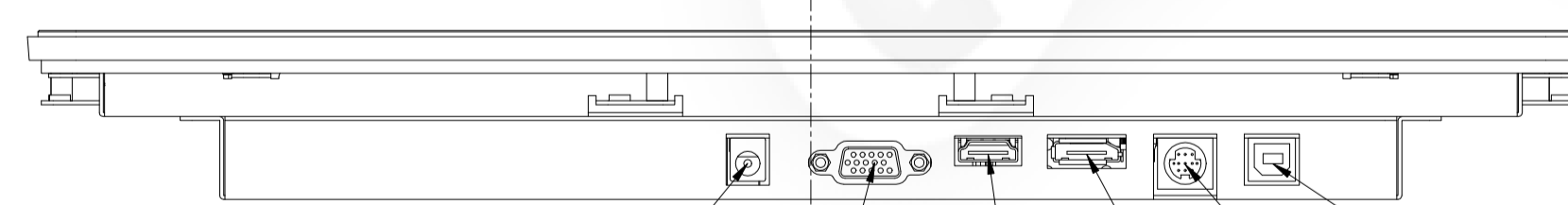
Title: RTL17L-RC5000-UD2A00-1.0

Mark	Revised Contents	Signature
△		

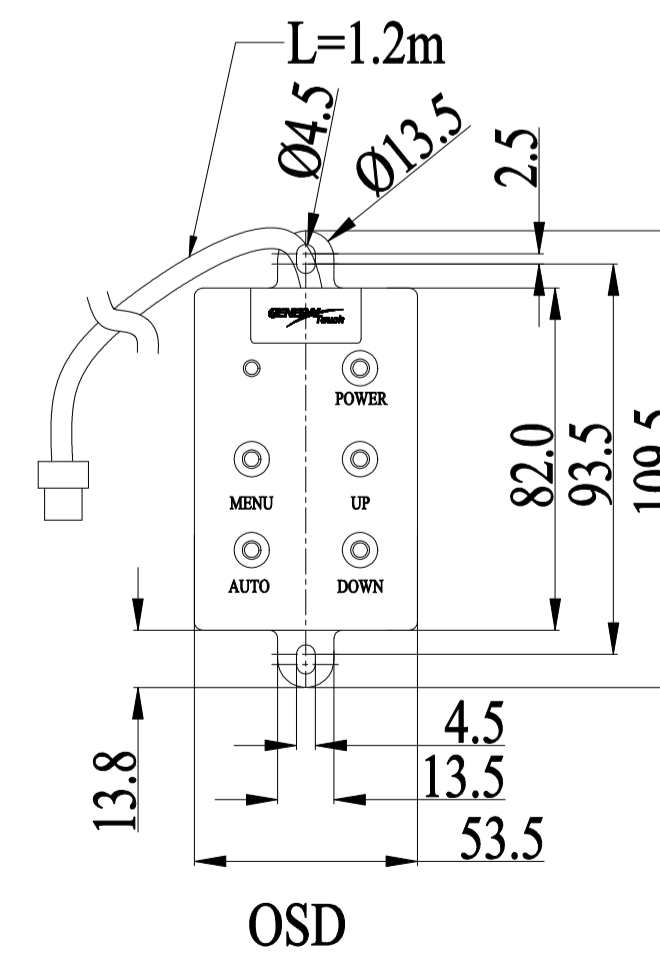


M4 Threads, X8
Max Screw Depth=6mm
From Mounting Surface

M4 Threads, X8
Max Screw Depth=6mm
From Mounting Surface



12V-DC-POWER VGA HDMI DP OSD USB



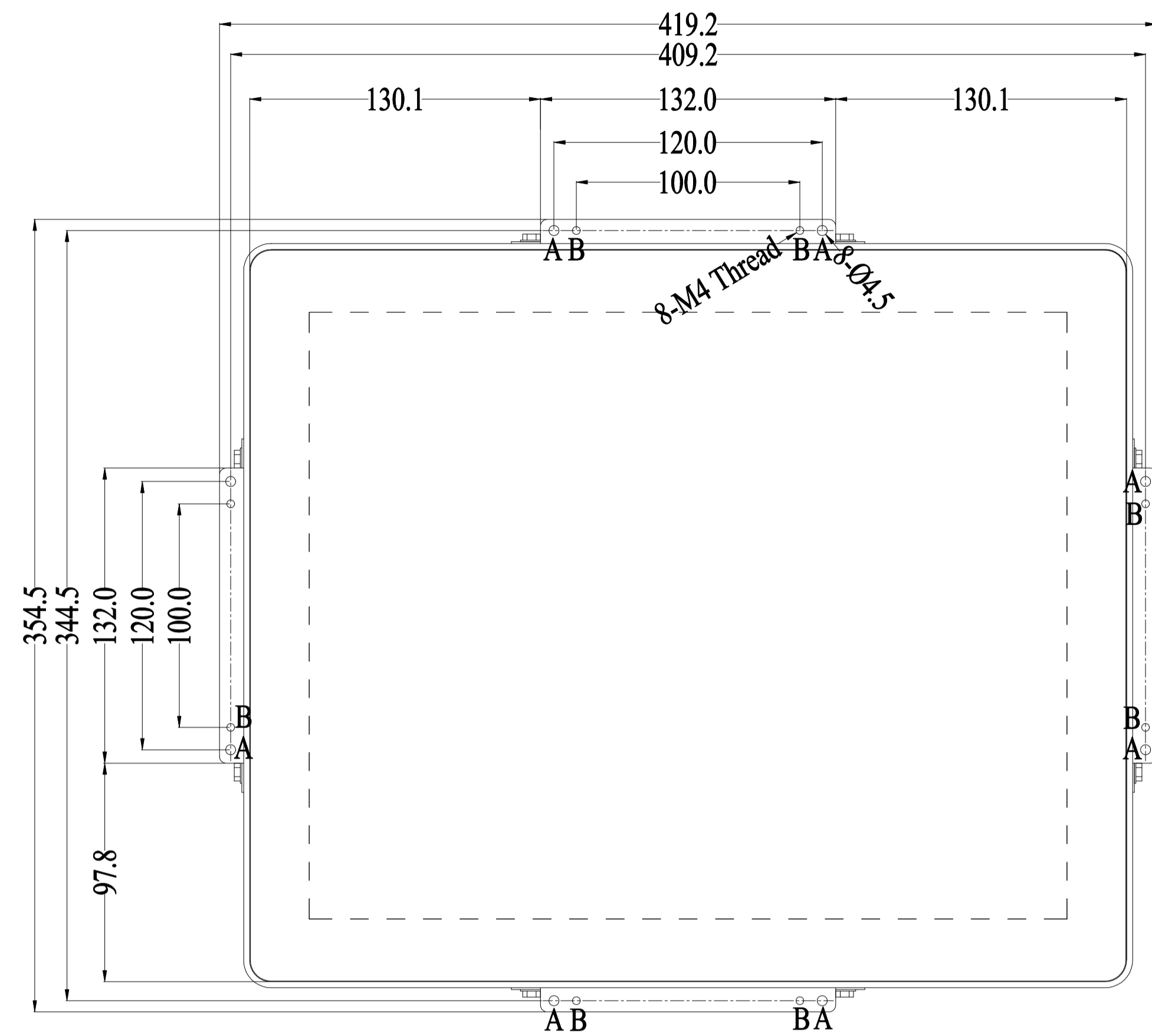
OSD

GENERAL Touch		GeneralTouch Co., Ltd.				Designer:
Specification	External Dimensions	392.2*327.5*42.8	Anti-Glare	Y <input type="checkbox"/> N <input checked="" type="checkbox"/>	Han Jin	
Unit	Date	Active Area	DustProof	Y <input type="checkbox"/> N <input checked="" type="checkbox"/>	Checked By:	
mm	2023/08/02	338.9*271.3			Wang Zhenghua	
Projection:		Glass Thickness			Approved By:	
		3 mm			Zhou Bolin	
Sheet 1 of 2		Silk Print Color				
VER: 0.1	Scale: 1:1	Mounting	VESA <input checked="" type="checkbox"/>	Bracket	<input checked="" type="checkbox"/>	
Tolerance: ±1.0mm		Notes				
		Touch Technology	P-CAP	<input checked="" type="checkbox"/>	SAW	
			IR/PIT		Resistive	
			Non-Touch			

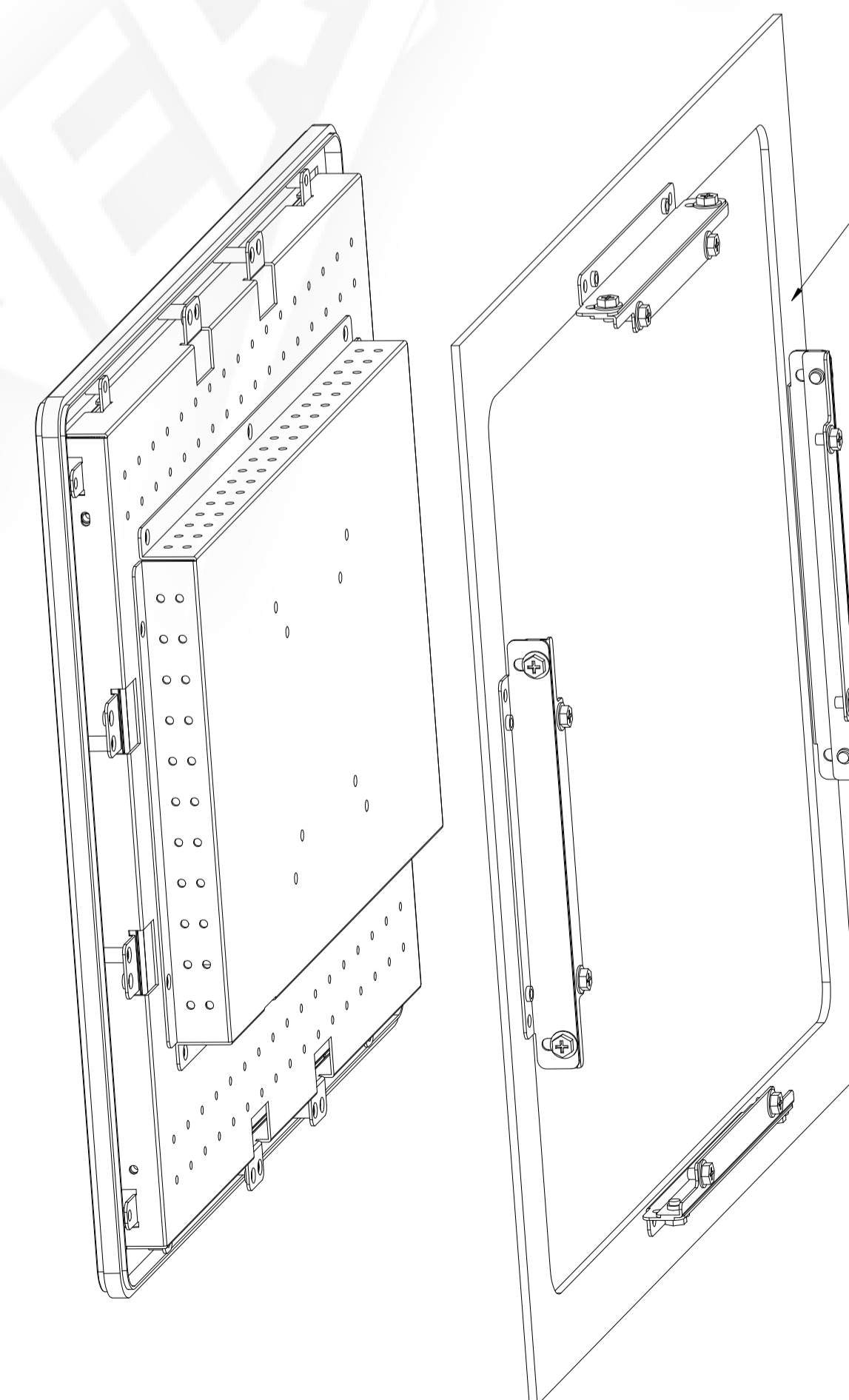
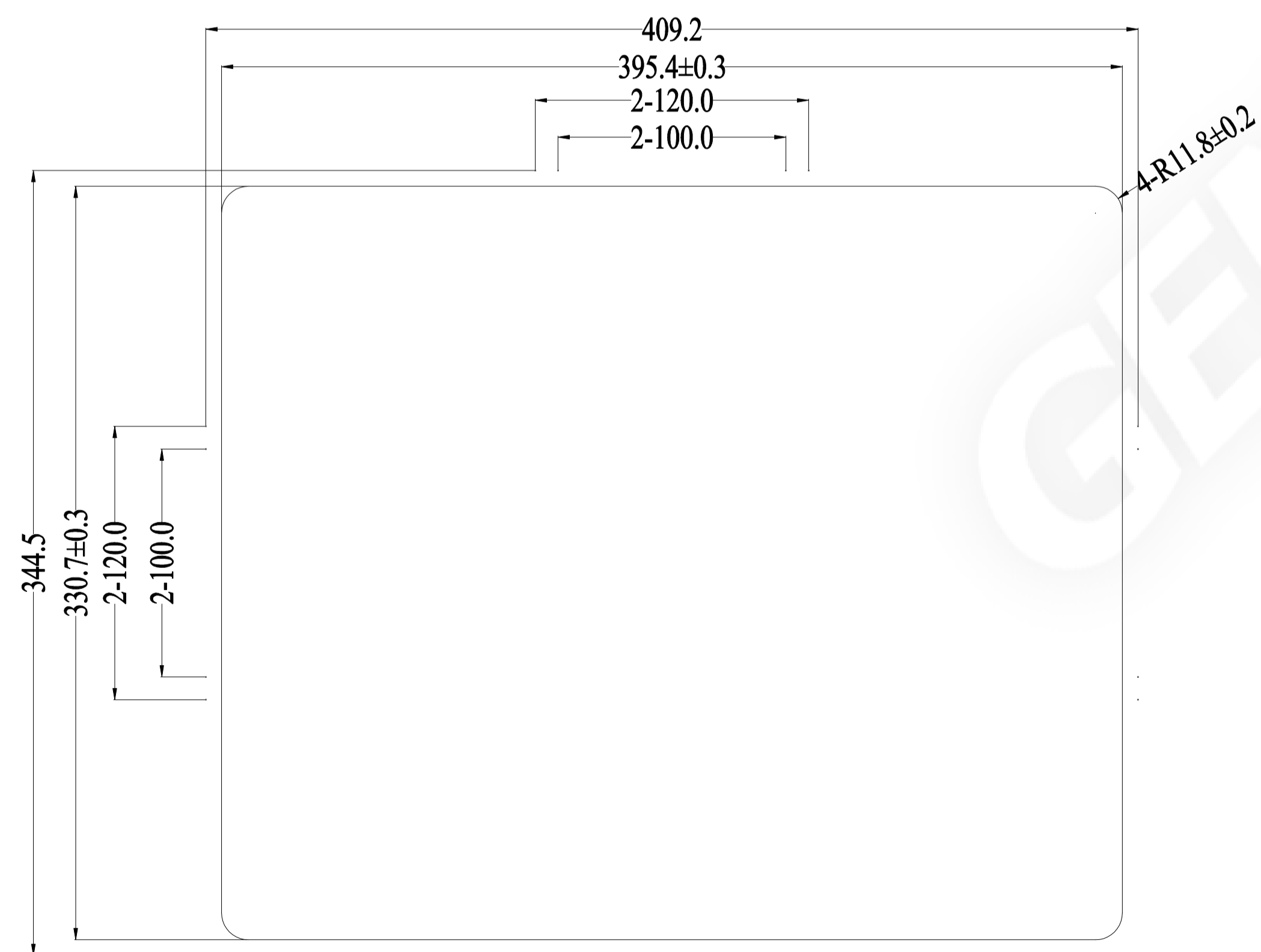
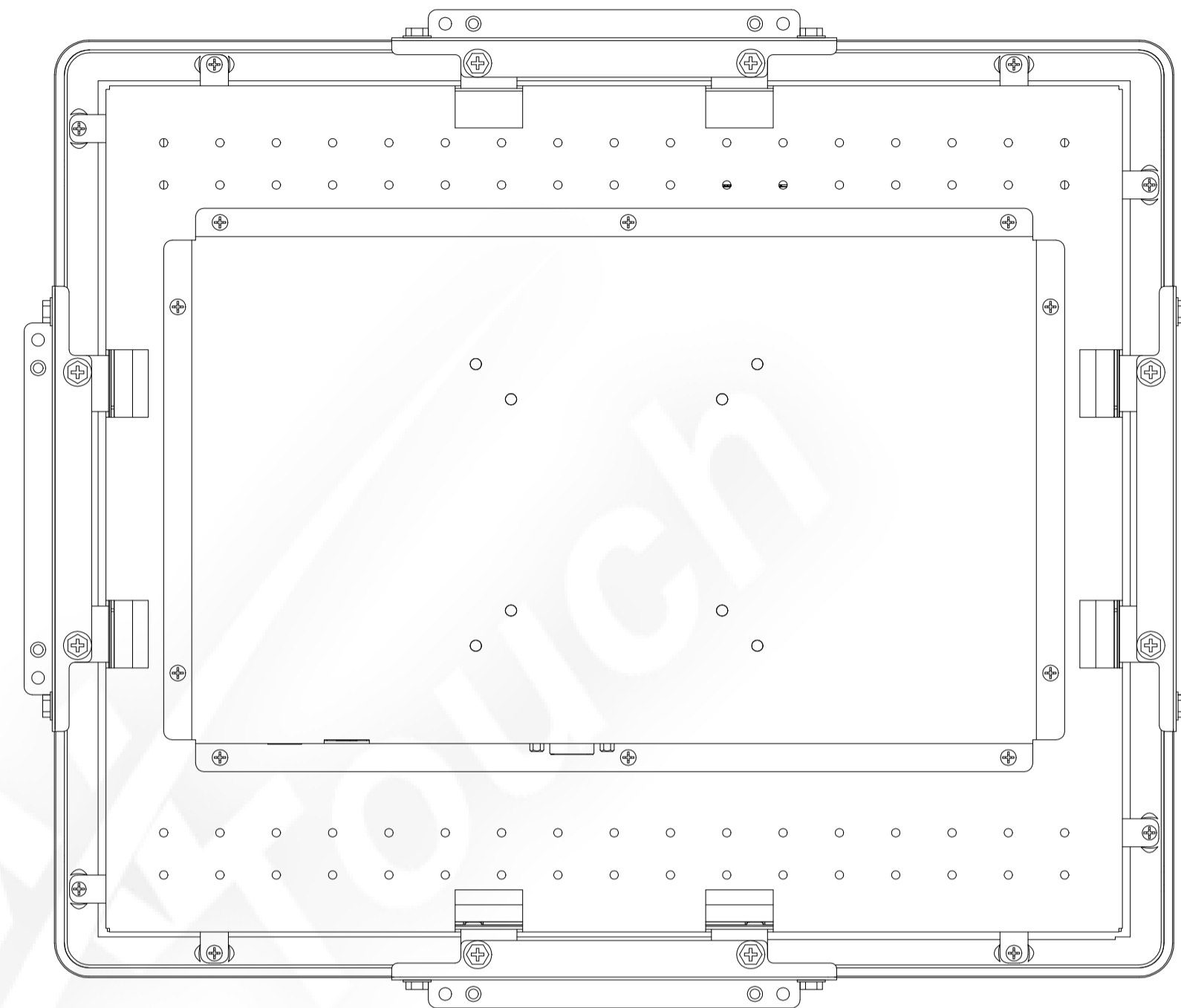
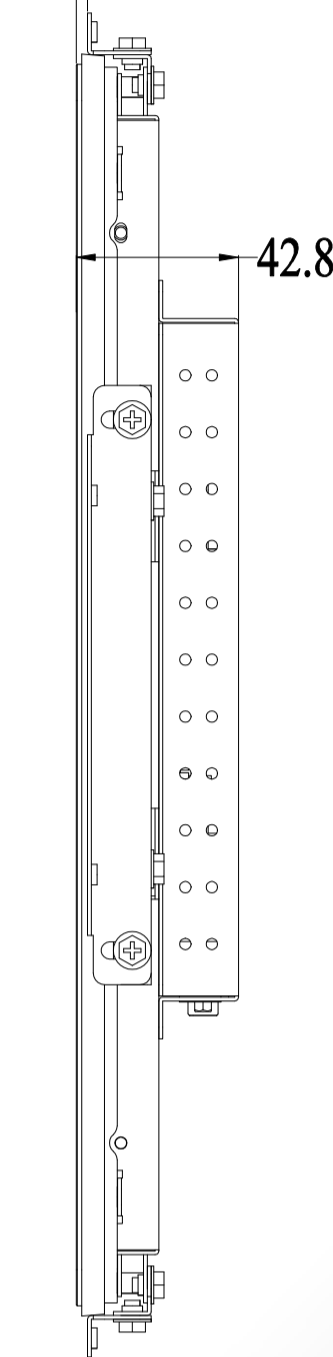
ALL DIMENSIONS ARE IN MILLIMETERS

Title: RTL17L-RC5000-UD2A00-1.0

Mark	Revised Contents	Signature
△		

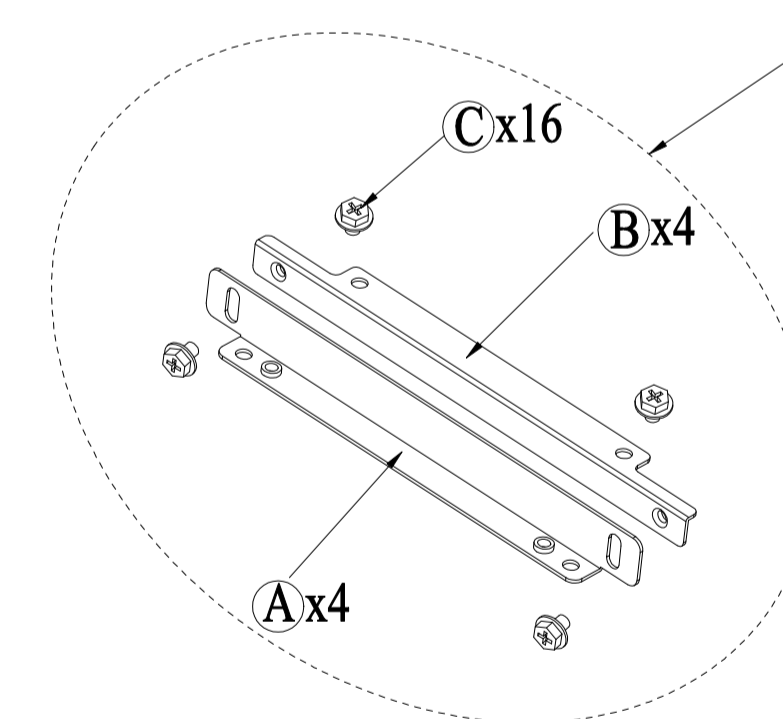


Ad Justment Range=3 To 9 MM



Customer Panel (Not Included)
Min Thickness =4 mm
Max Thickness =12 mm

120400538R Mounting bracket assembly is optional



Optional Accessories		
Part Number	Description	Qty
120400538R	Mounting bracket assembly	1

ALL DIMENSIONS ARE IN MILLIMETERS

GENERAL Touch		GeneralTouch Co., Ltd.			
Specification	External Dimensions	419.2*354.5*42.8	Anti-Glare	<input type="checkbox"/> Y <input checked="" type="checkbox"/> N	Designer:
Unit	Date	Active Area	DustProof	<input type="checkbox"/> Y <input checked="" type="checkbox"/> N	Han Jin
mm	2023/08/02	Glass Thickness			Checked By:
Projection:		Silk Print Color			Wang Zhenghua
		Mounting	VESA <input checked="" type="checkbox"/>	Bracket <input checked="" type="checkbox"/>	Approved By:
Sheet 2 of 2		Notes			Zhou Bolin
VER: 0.1	Scale: 1:1	Touch Technology	P-CAP <input checked="" type="checkbox"/>	SAW <input type="checkbox"/>	
Tolerance: ±1.0mm			IR/PIT <input type="checkbox"/>	Resistive <input type="checkbox"/>	
			Non-Touch <input type="checkbox"/>		