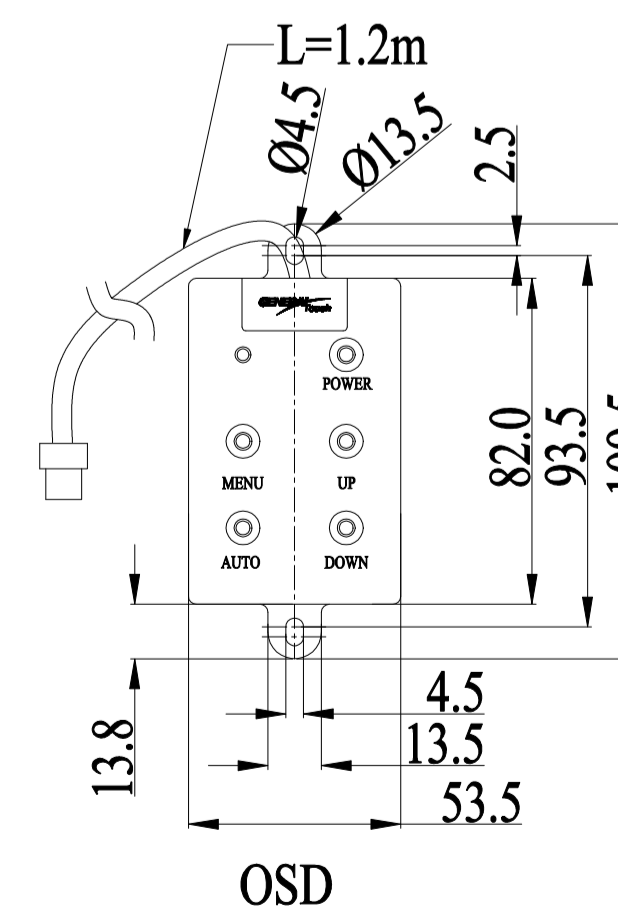
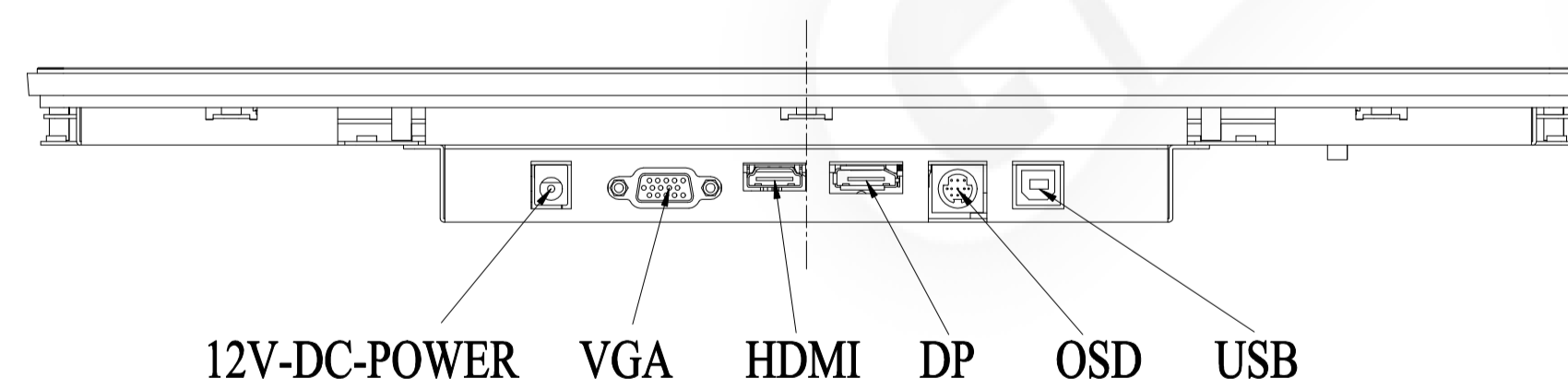
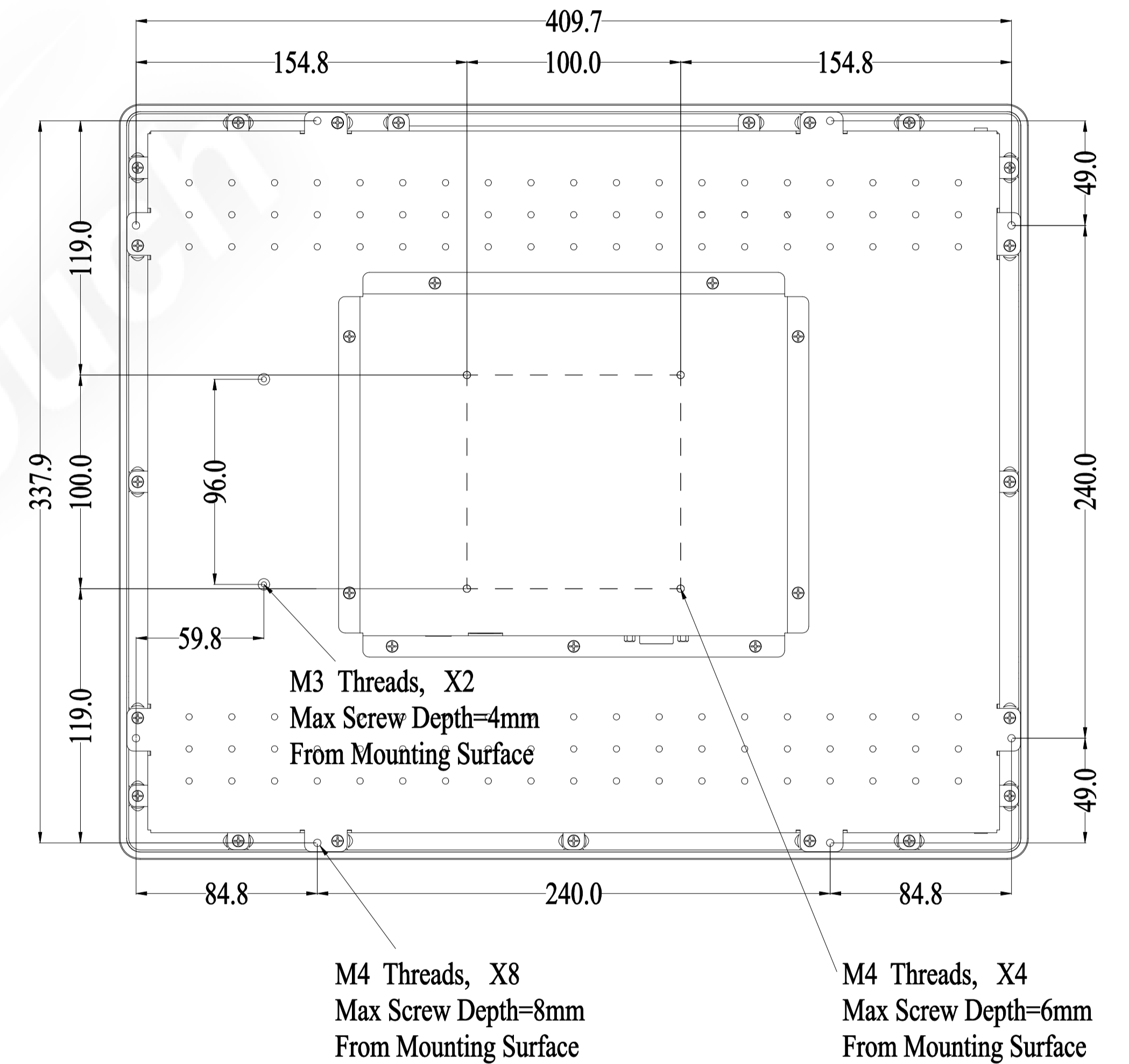
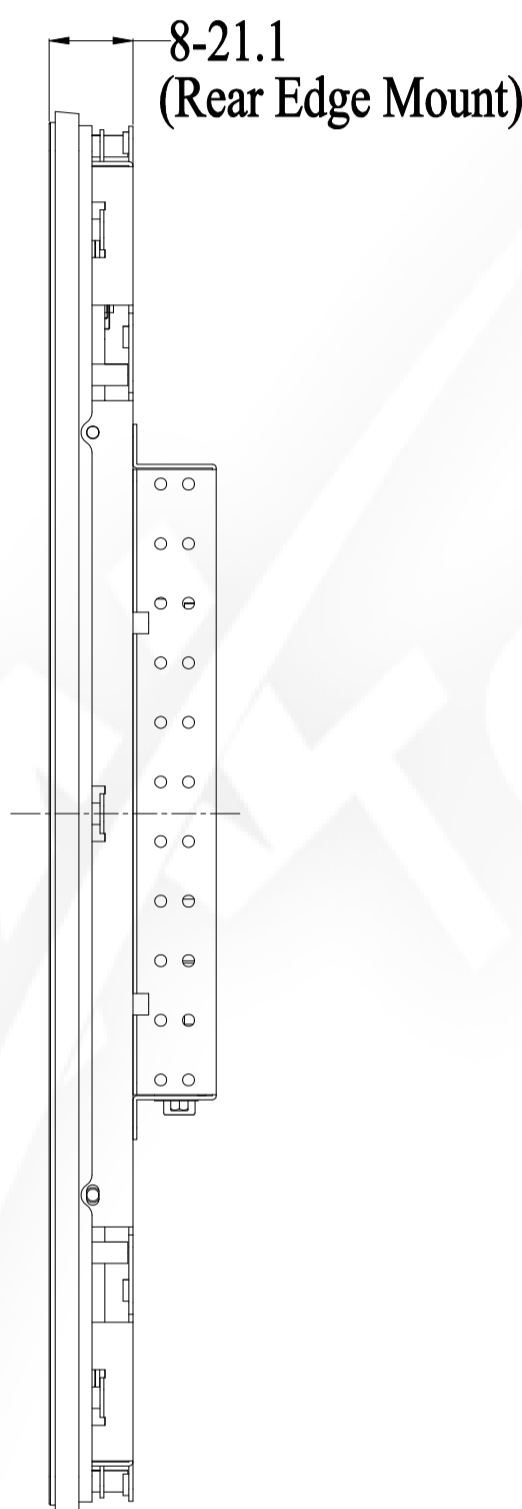
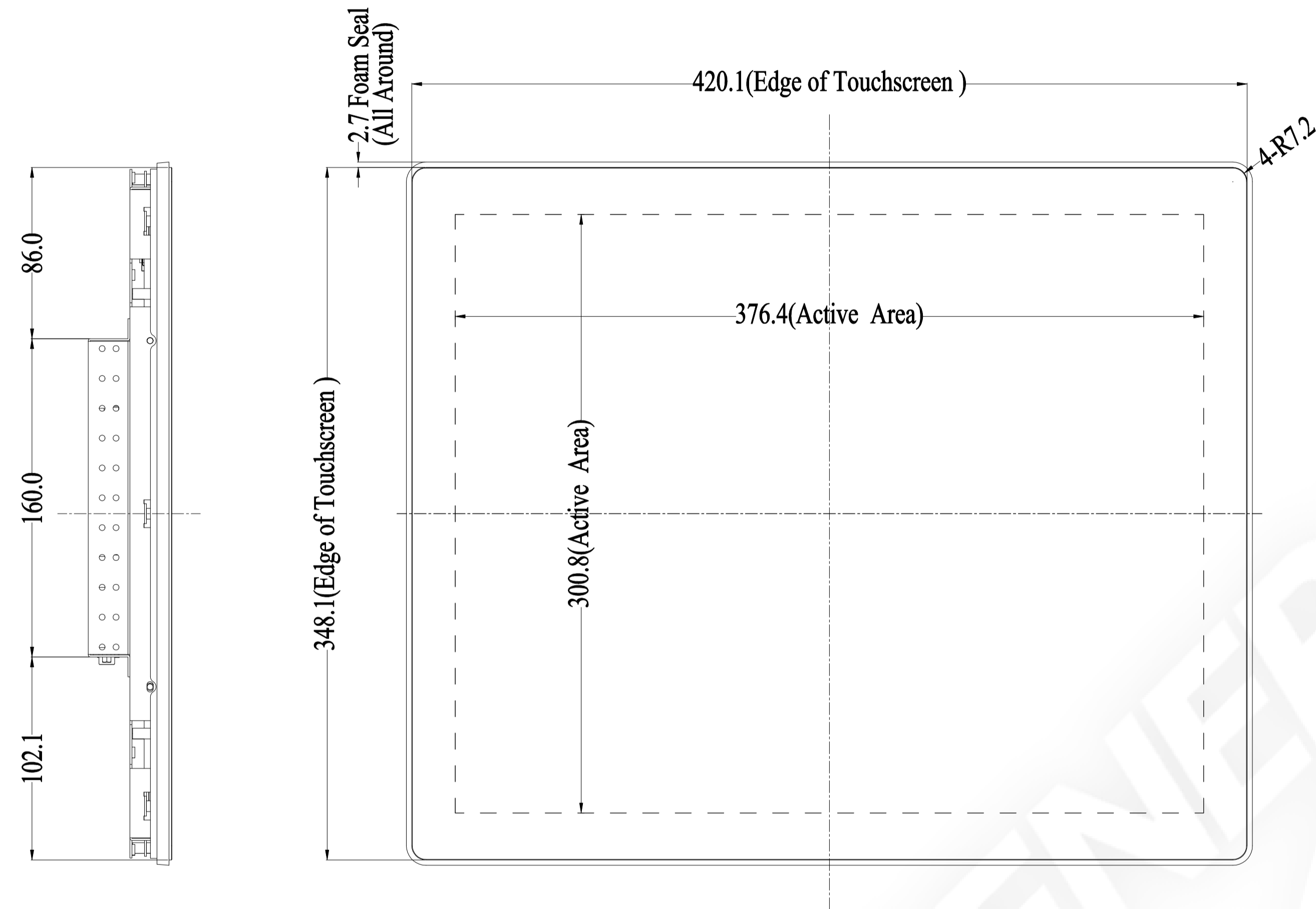
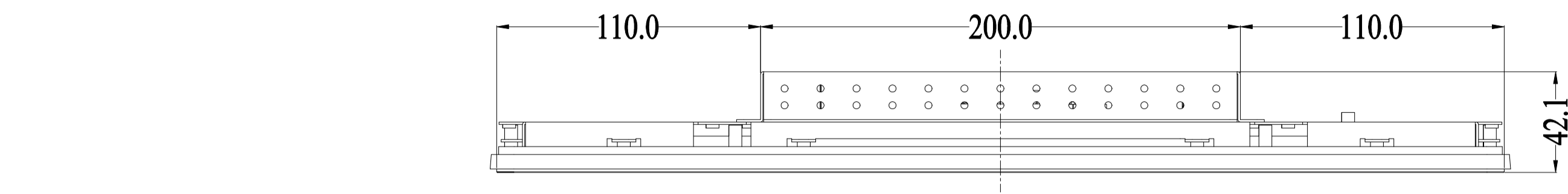


Title: RTL19L-LC5000-UD2A00-1.0

Mark	Revised Contents	Signature
△		

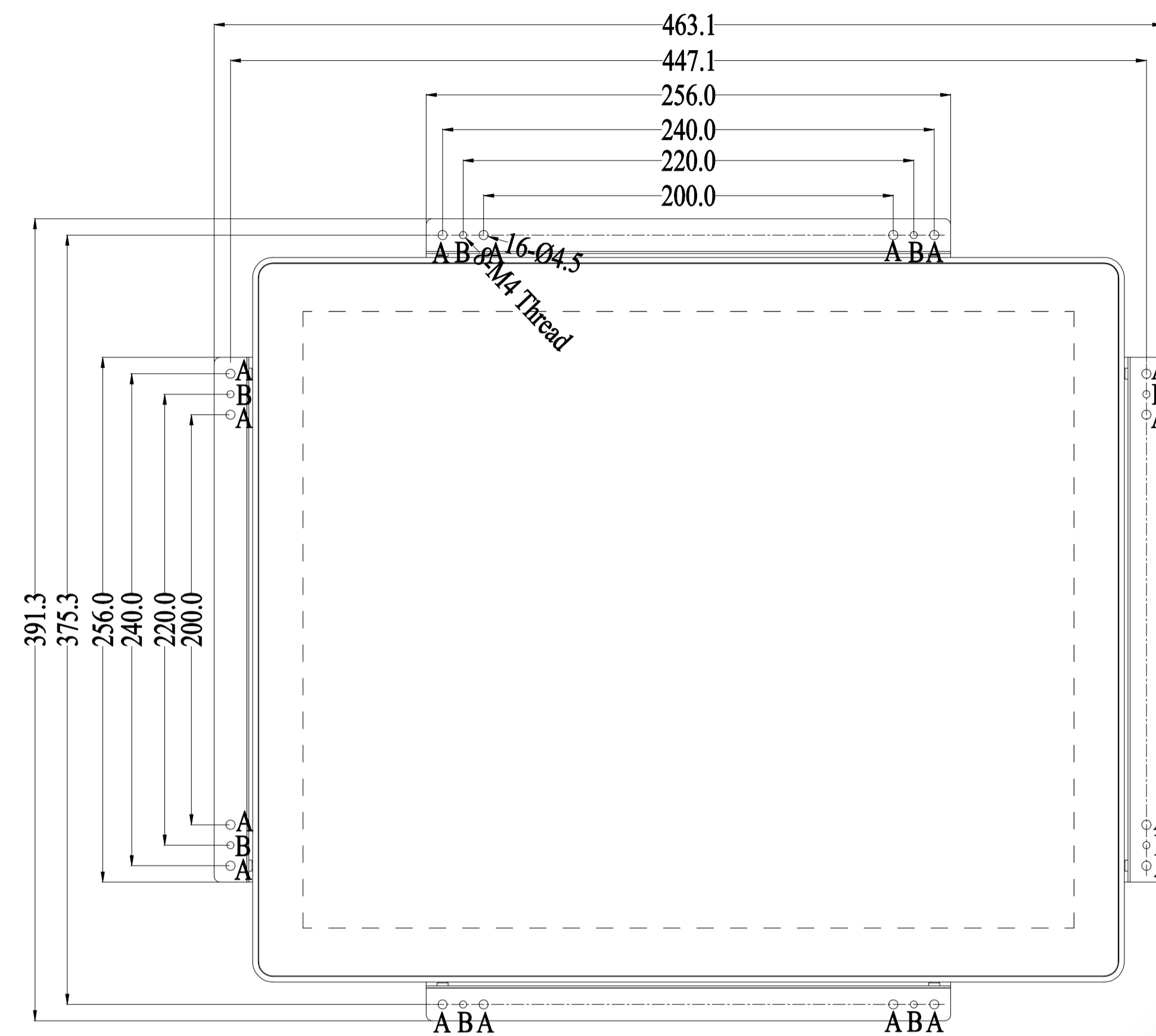


ALL DIMENSIONS ARE IN MILLIMETERS

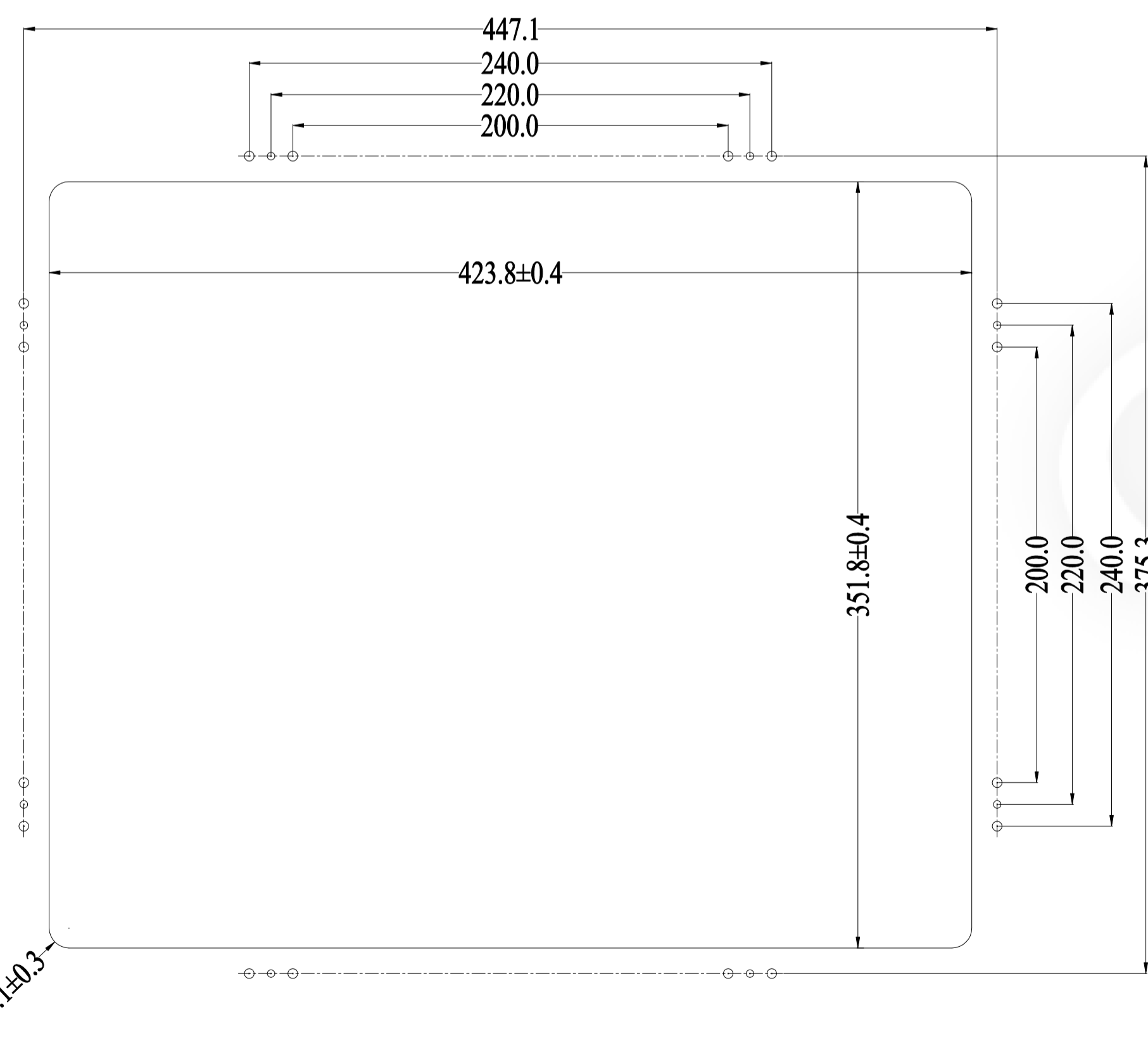
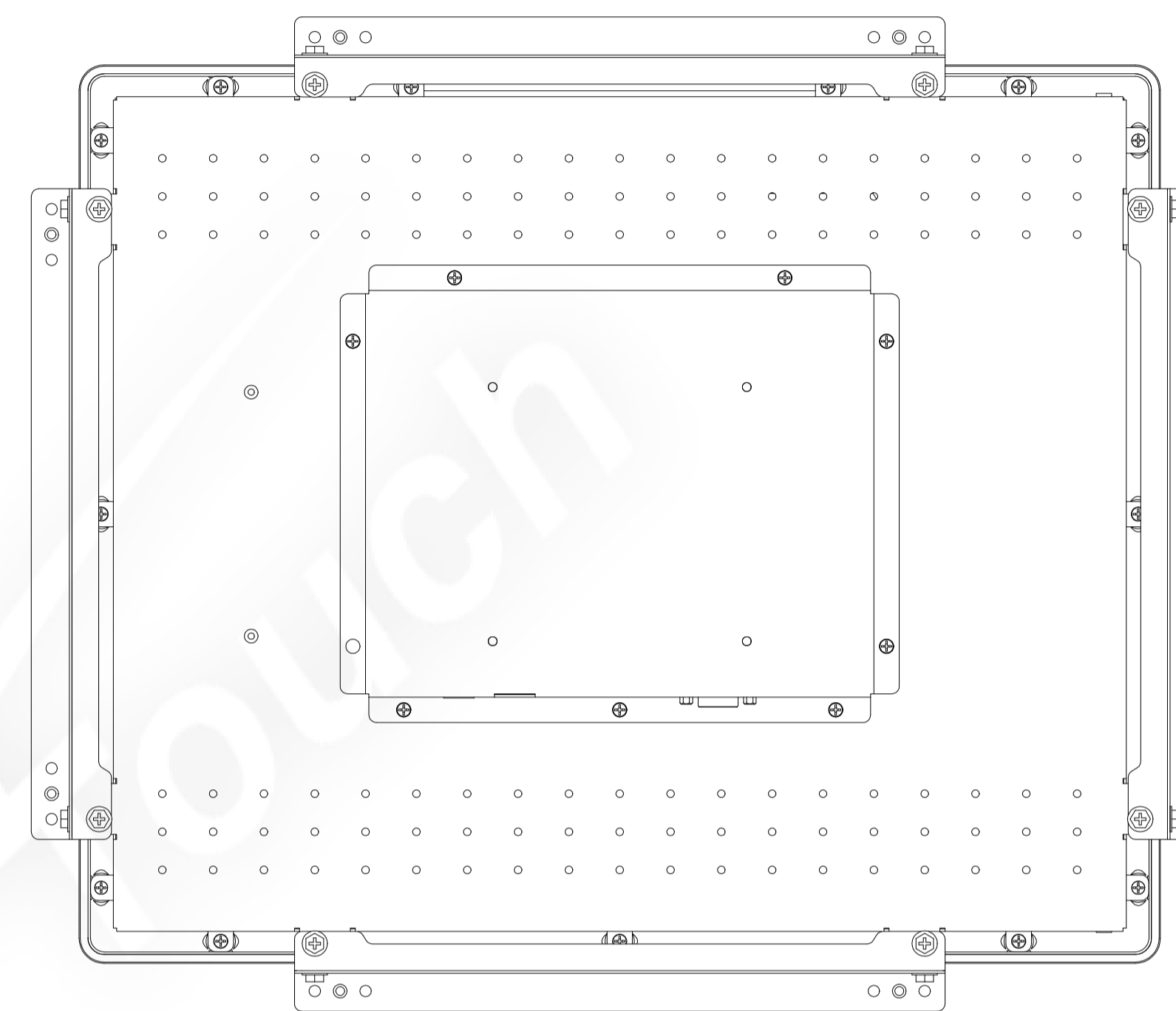
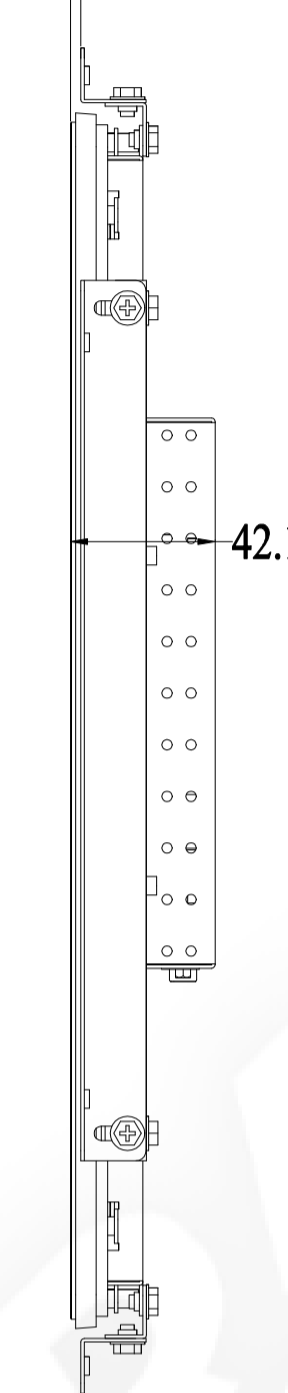
GENERAL Touch		GeneralTouch Co., Ltd.			
Specification	External Dimensions	420.1*348.1*42.1	Anti-Glare	Y <input type="checkbox"/> N <input checked="" type="checkbox"/>	Designer:
Unit	Date	Active Area	DustProof	Y <input type="checkbox"/> N <input checked="" type="checkbox"/>	Han Jin
mm	2023/08/02	Glass Thickness			Checked By:
Projection:		Silk Print Color			Wang Zhenghua
		Mounting	VESA <input checked="" type="checkbox"/>	Bracket <input checked="" type="checkbox"/>	Approved By:
Sheet 1 of 2		Notes			Zhou Bolin
VER: 0.1	Scale: 1:1	Touch Technology	P-CAP	<input checked="" type="checkbox"/> SAW	
Tolerance: ±1.0mm			IR/PIT	<input type="checkbox"/> Resistive	
			Non-Touch	<input type="checkbox"/>	

Title: RTL19L-LC5000-UD2A00-1.0

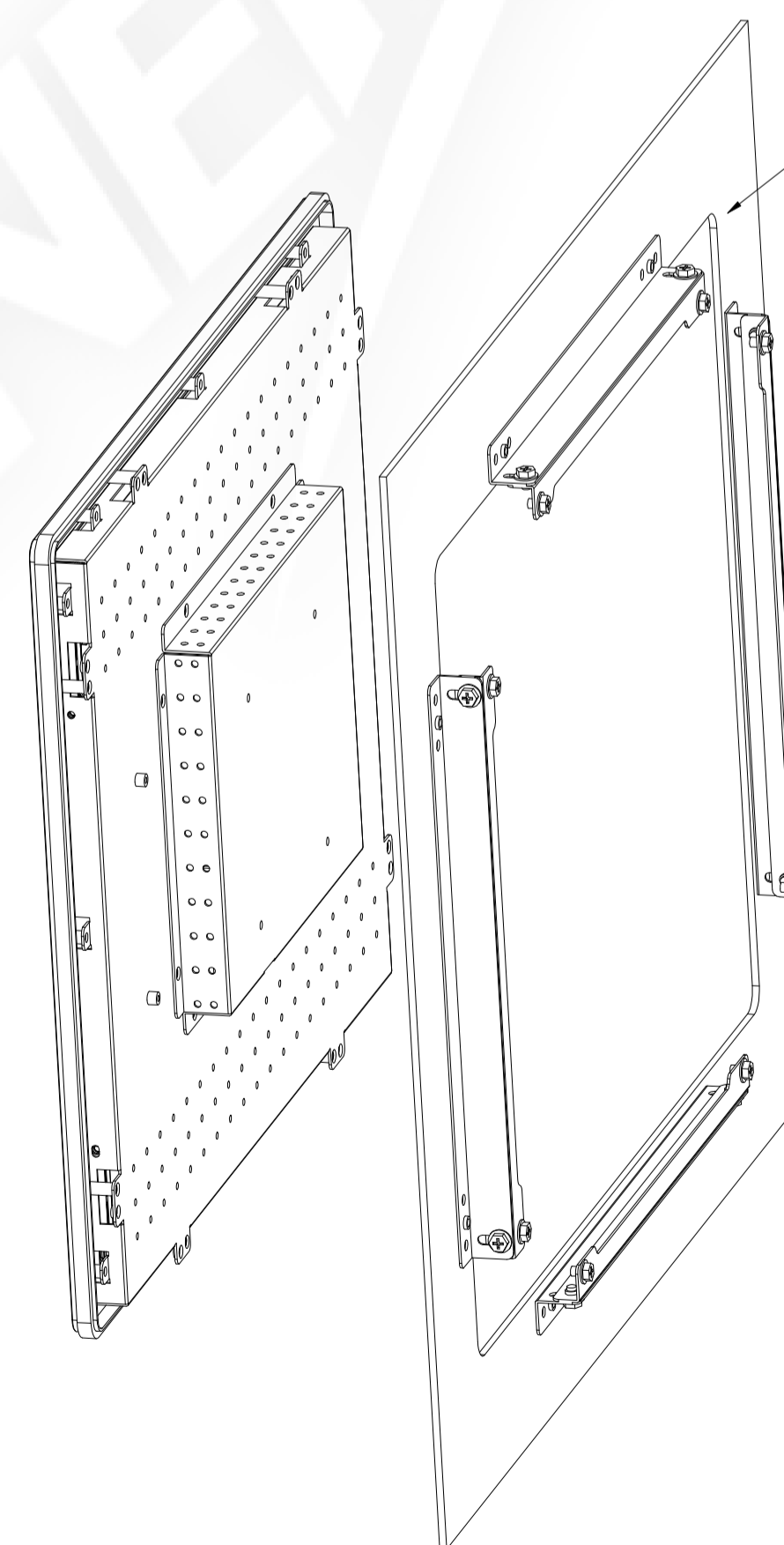
Mark	Revised Contents	Signature
△		



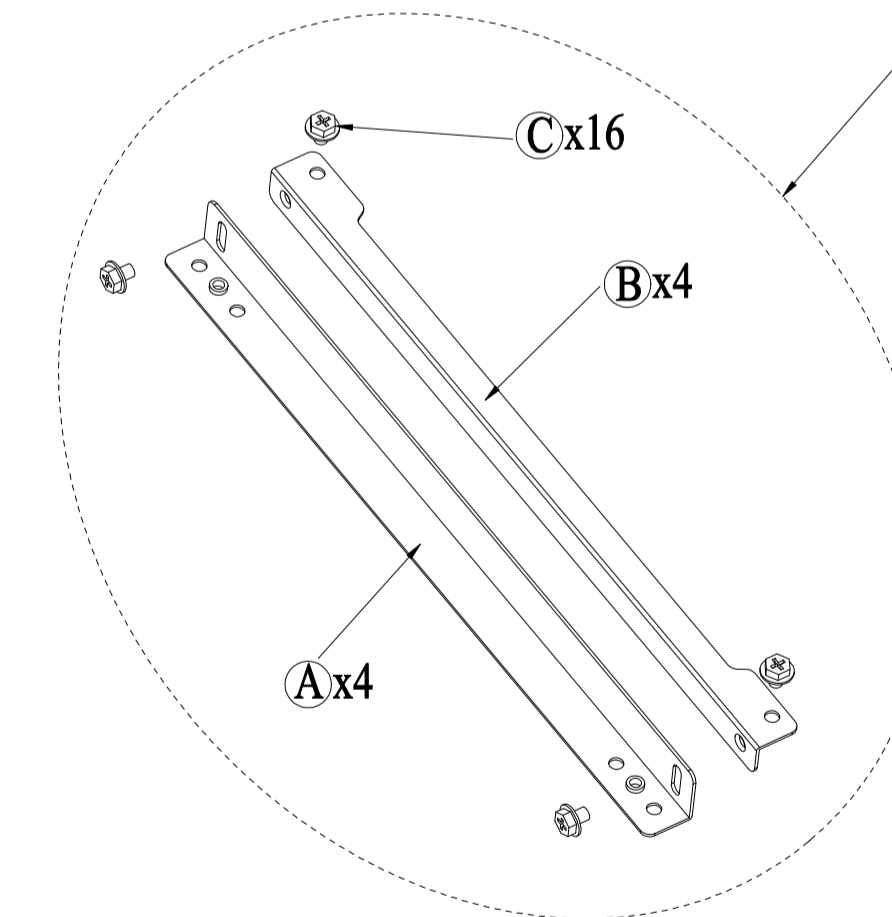
Ad Justment Range=3 To 10.6 MM



Customer Panel (Not Included)
Min Thickness =4 mm
Max Thickness =10 mm



120400537R Mounting bracket assembly is optional



Optional Accessories		
Part Number	Description	Qty
120400537R	Mounting bracket assembly	1

ALL DIMENSIONS ARE IN MILLIMETERS

GENERAL Touch		GeneralTouch Co., Ltd.			
Specification	External Dimensions	463.1*391.3*42.1	Anti-Glare	<input type="checkbox"/> Y <input checked="" type="checkbox"/> N	Designer: Han Jin
Unit	Date	Active Area	DustProof	<input type="checkbox"/> Y <input checked="" type="checkbox"/> N	
mm	2023/08/02	Glass Thickness	3 mm		Checked By: Wang Zhenghua
Projection:		Silk Print Color			
Sheet 2 of 2		Mounting	VESA <input checked="" type="checkbox"/>	Bracket <input checked="" type="checkbox"/>	Approved By: Zhou Bolin
VER: 0.1	Scale: 1:1	Notes			
Tolerance: ±1.0mm		Touch Technology	P-CAP <input checked="" type="checkbox"/>	SAW <input type="checkbox"/>	
			IR/PIT	Resistive	
			Non-Touch		