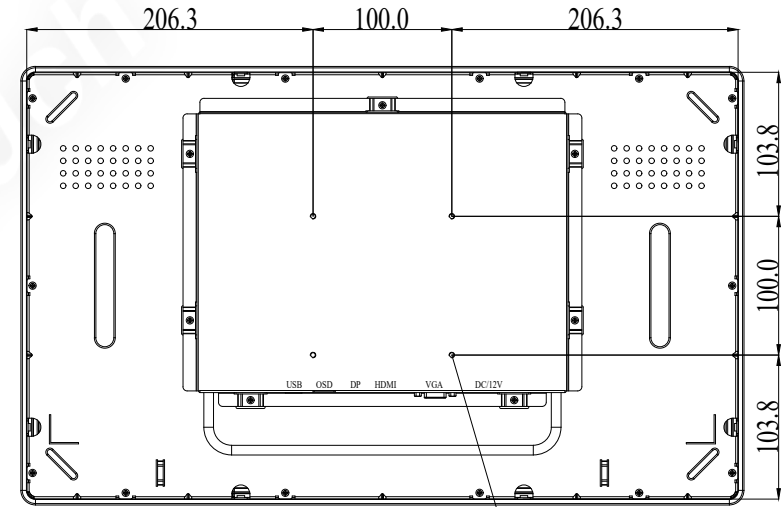
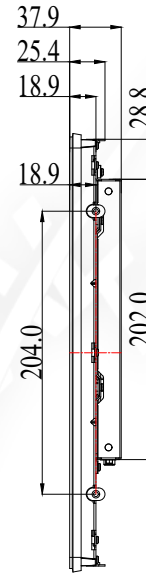
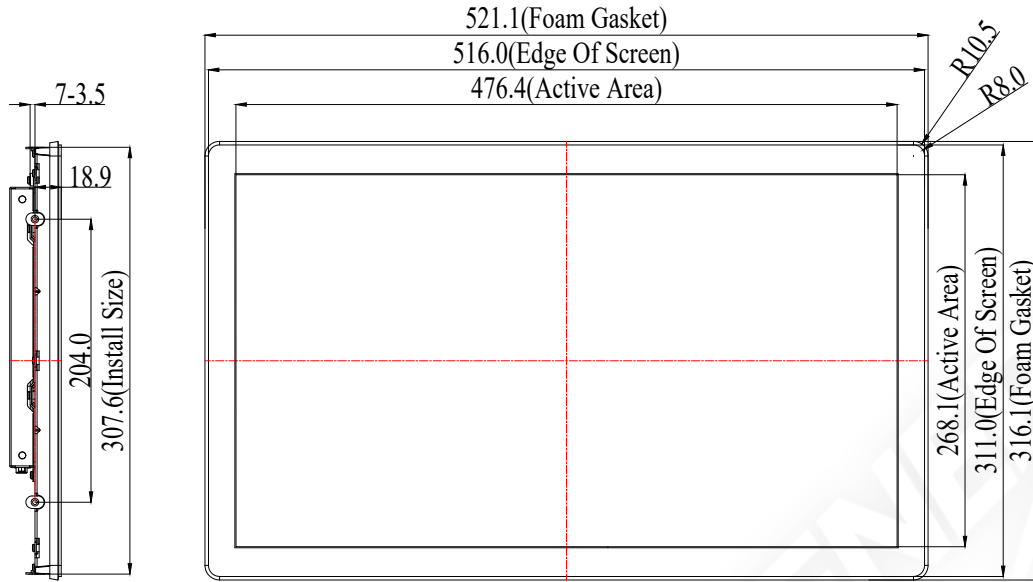
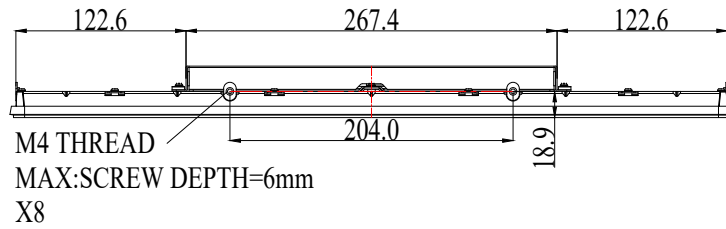
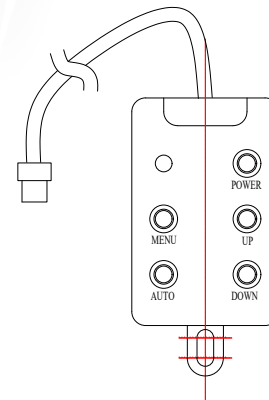
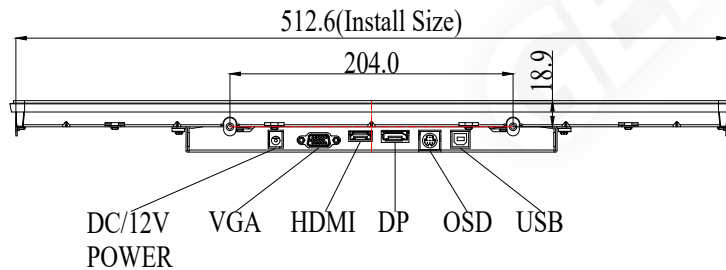


TITLE: RTL226-LRPCZ04A-UHPDA

MARK	REVISED CONTENTS	DATE	SIGNATURE



VESA:M4 THREAD
MAX:SCREW DEPTH=6mm
X4



OSD

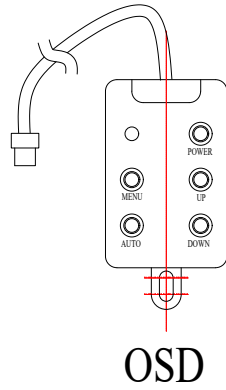
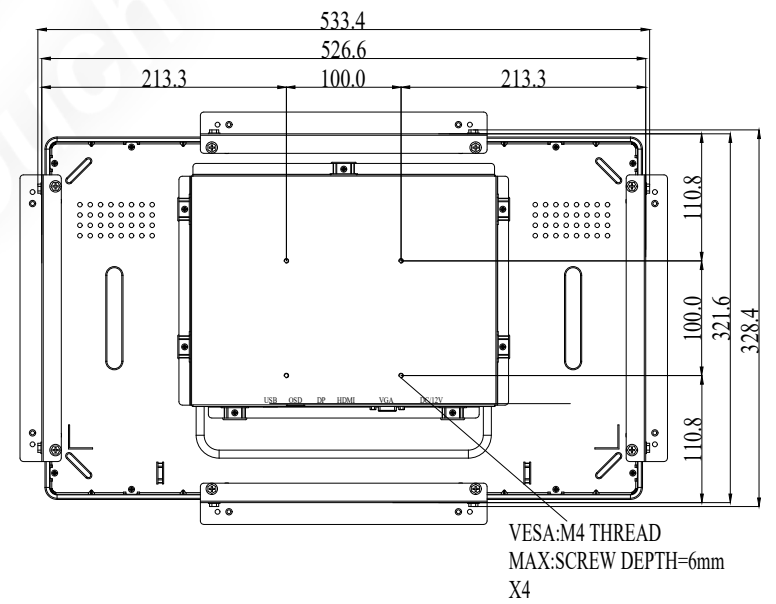
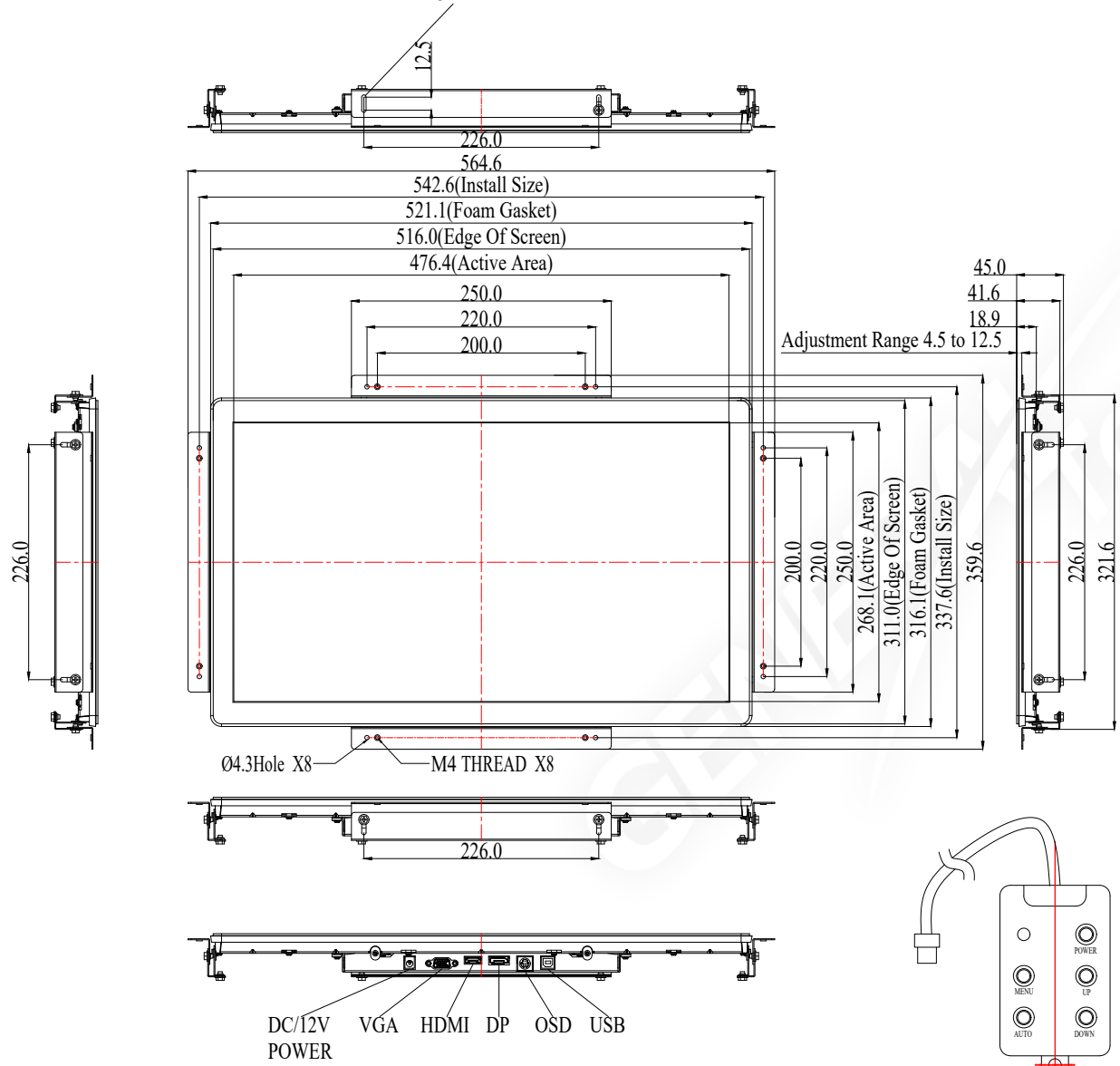
ALL DIMENSIONS ARE IN MILLIMETERS

GENERAL Touch		GeneralTouch Co.,Ltd.			
SPEC or MATERIAL REMARK	External Dimensions	521.1*316.1*37.1	Anti-Glare	Y <input type="checkbox"/> N <input checked="" type="checkbox"/>	DESIGNER: ZhouRui
UNIT	DATE	Active Area	DustPro	Y <input type="checkbox"/> N <input checked="" type="checkbox"/>	
mm	2019/10/16	Glass Thickness	2mm		
Projection:		Silk Print Color	Black		CHECKED: WangZhengHua
		Mounting	Vesa <input checked="" type="checkbox"/> Bracket <input checked="" type="checkbox"/>		
SHEET 1 OF 3		NOTES			
RVE: 1.0	SCALE: 1:1	TOUCH TECHNOLOGY	P-CAP	<input checked="" type="checkbox"/> SAW	APPROVED: ZhouBoLin
Tolerance: ±1.0mm			IR/PIT	RESISTIVE	
			Non-Touch		

TITLE: RTL226-LRPCZ04A-UHPDA

MARK	REVISED CONTENTS	DATE	SIGNATURE

Mounting Bracket Adjustment
Range 12.5mm (X4 Places)

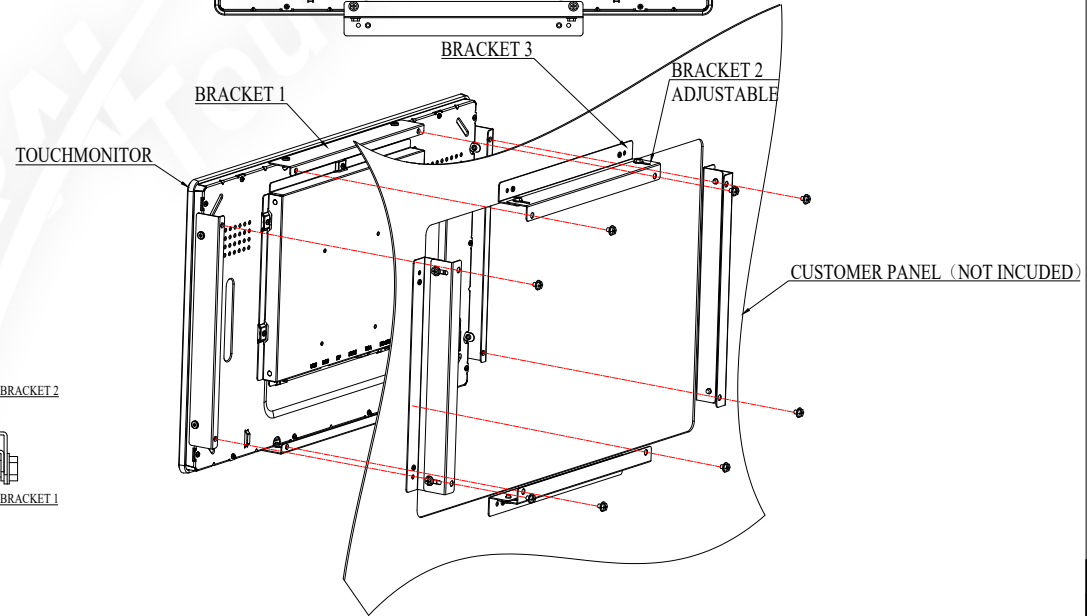
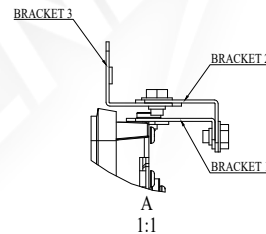
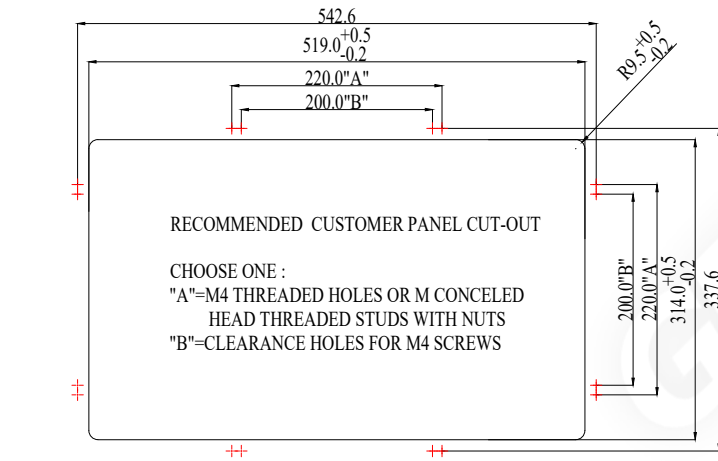
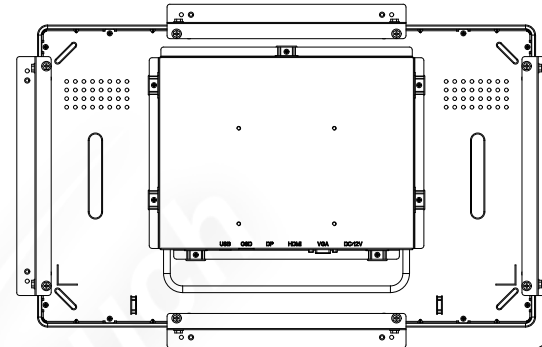
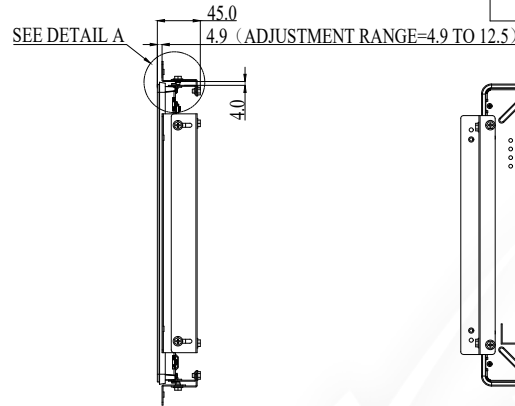
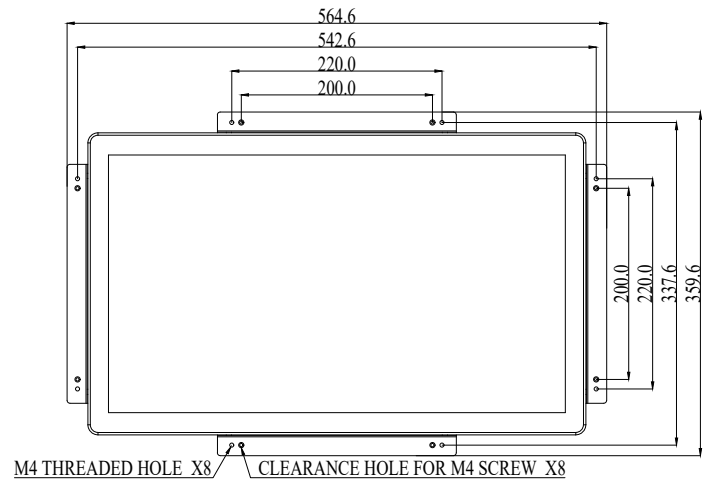


ALL DIMENSIONS ARE IN MILLIMETERS

GENERAL Touch		GeneralTouch Co.,Ltd.			
SPEC or MATERIAL REMARK	External Dimensions	564.6*359.6*45	Anti-Glare	Y <input type="checkbox"/> N <input checked="" type="checkbox"/>	DESIGNER: ZhouRui
UNIT	DATE	Active Area	DustPro	Y <input type="checkbox"/> N <input checked="" type="checkbox"/>	CHECKED: WangZhengHua
mm	2019/10/16	Glass Thickness			
Projection:		Silk Print Color	Black		APPROVED: ZhouBoLin
		Mounting	Vesa <input checked="" type="checkbox"/> Bracket <input checked="" type="checkbox"/>		
SHEET 2 OF 3		NOTES			
RVE: 1.0	SCALE: 1:1	TOUCH TECHNOLOGY	P-CAP	<input checked="" type="checkbox"/> SAW	
Tolerance: ±1.0mm			IR/PIT	RESISTIVE	
			Non-Touch		

TITLE: RTL226-LRPCZ04A-UHPDA

MARK	REVISED CONTENTS	DATE	SIGNATURE
△			



INSTALLATION NOTES:

1. ATTACH BRACKET 1 TO TOUCHMONITOR (ALL FOUR SIDES) WITH LOW PROFILE SCREWS (INCLUDED)
2. ATTACH BRACKET 3 TO CUSTOMER PANEL PRE CUT-OUT DRAWING (ALL FOR SIDES)
3. ATTACH BRACKET 2 TO BRACKET 3 ON ALL FOUR SIDES WITH M HEX HEAD SCREWS (INCLUDED)
4. ADJUST DEPTH OF BRACKET 2 SO MONITOR IS FLUSH WITH CUSTOMER PANEL
5. PLACE TOUCHMONITOR INTO CUSTOMER PANEL OPENING
6. SECURE TOUCHMONITOR TO BRACKET 2 FROM BEHIND WITH M4 HEX HEAD SCREWS (INCLUDED)

ALL DIMENSIONS ARE IN MILLIMETERS

GENERAL Touch		GeneralTouch Co.,Ltd.			
SPEC or MATERIAL REMARK	External Dimensions	564.6*359.6*45	Anti-Glare	Y <input type="checkbox"/> N <input checked="" type="checkbox"/>	DESIGNER: ZhouRui
UNIT	DATE	Active Area	DustPro	Y <input type="checkbox"/> N <input checked="" type="checkbox"/>	
mm	2019/10/16	Glass Thickness			
Projection:		Silk Print Color	Black		CHECKED: WangZhengHua
		Mounting	Vesa <input checked="" type="checkbox"/> Bracket <input checked="" type="checkbox"/>		
SHEET 3 OF 3		NOTES			
RVE: 1.0	SCALE: 1:1	TOUCH TECHNOLOGY	P-CAP	<input checked="" type="checkbox"/>	APPROVED: ZhouBoLin
Tolerance: ±1.0mm			IR/PIT		
			Non-Touch		