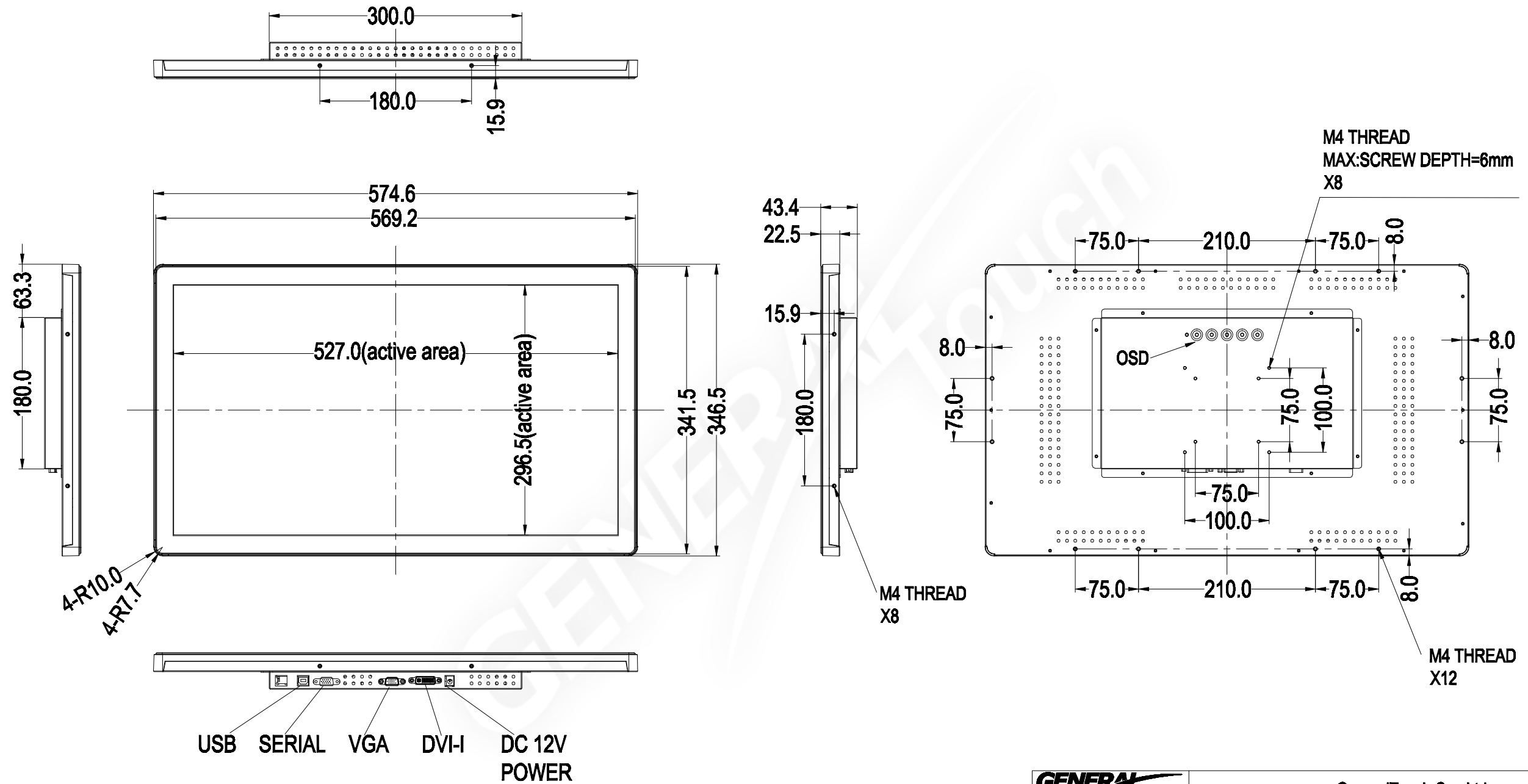


Title: RTL245-RZ04-SUCDA

Mark	Revised Contents	Signature
△		



ALL DIMENSIONS ARE IN MILLIMETERS

GENERAL Touch		GeneralTouch Co., Ltd.			
Specification	External Dimensions	574.6*346.5*43.4	Anti-Glare	Y <input type="checkbox"/> N <input checked="" type="checkbox"/>	Designer: Wang Zhenghua
Unit	Date	Active Area	DustProof	Y <input type="checkbox"/> N <input checked="" type="checkbox"/>	
mm	20220117	Glass Thickness	4 mm		Checked By: Duan Wenbin
Projection:		Silk Print Color			Approved By: Zhou Bolin
Sheet 1 of 1		Mounting	VESA <input checked="" type="checkbox"/> Bracket <input type="checkbox"/>		
VER: 0.1	Scale: 1:1	Notes			
Tolerance: ±1.5mm		Touch Technology	P-CAP	SAW	
			IR/PIT	Resistive	
			Non-Touch		